

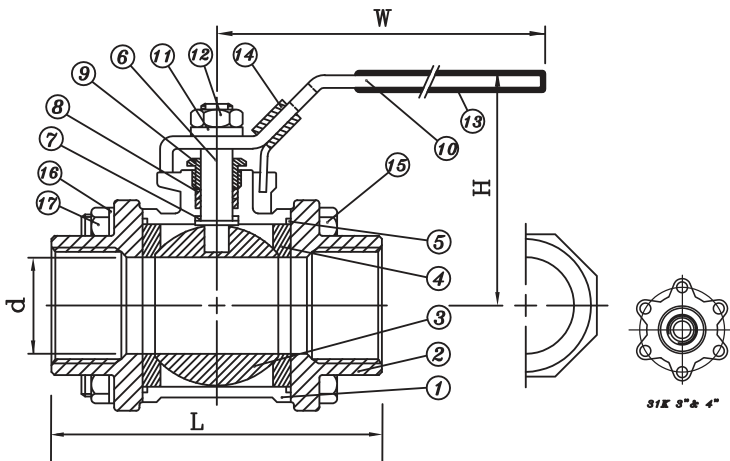
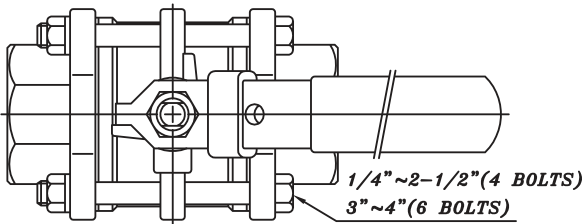
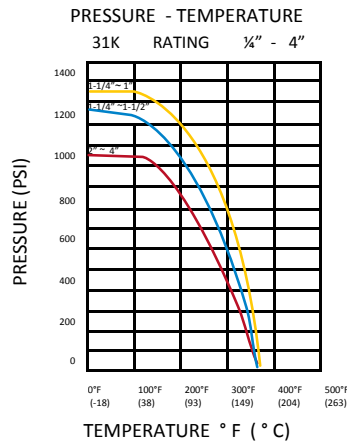


SIZE: $\frac{1}{4}'' - 4''$
 -SCREWED
 -BUTT & SOCKETWELD END

CE APPROVED

HOW TO ORDER

BODY MATERIAL SIZE END CONNECTIONS
 31K F3T



3-PIECE BALL VALVE
 INVESTMENT CASTING BODY & CAP
 ASTM A 351 - CF8M (DIN 1.4408)
 ASTM A 351 - CF8 (DIN 1.4301)
 ASTM A 216 - WCB (DIN 1.0619)

31K TYPE

FEATURES:

- PIPE THREAD IN ACCORDANCE WITH:
 - * ANSI B2.1 (BASIC STD FOR STEEL PIPE THREADS)
 - * ANSI B1.20 (NPTF)
 - * BS21:1973
 - * DIN259/2999
 - * ISO228
- BLOW-OUT PROOF STEM
- FULL PORT
- 1000 PSI W.O.G
- LUG BODY
- LOCKING DEVICE
- MATERIAL TRACEABILITY
- MATERIALS:
 - * ASTM-A351-CF8, ASTM-A351-CF8M, A216-WCB

NOMINAL SIZE	d	L	H	W	B	D	S	Cv	Torque Factor Kgf-cm
3/8"	12.7	54	51	95	12.52	18	17.6	7.9	40
3/4"	20	71	58.5	110	20.93	28	27.2	21	74
1 - 1/4"	32	97	78.5	135	35.05	44	42.6	57	135
2"	50	129	99	165	52.5	61.5	61.1	148	250
3"	80	200	136	215	82	90	89.8	415	750

PARTS	MATERIAL
2 CAP	ASTM-A351-CF8M ASTM-A216-WCB
4 BALL SEAT	15% - R-PTFE
6 STEM	ASTM-A351-CF8M
8 STEM PACKING	PTFE
10 HANDLE	ASTM-A351-CF8
12 STEM NUT	ASTM-A351-CF8
14 LOCK DEVICE	ASTM-A351-CF8
16 SPRING WASHER	ASTM-A351-CF8

