

INVESTMENT CASTING BODY & CAPS
 ASTM A 351 - CF8M / ASTM A 351 - CF8 (DIN 1.4301), ASTM A 216 - WCB

31KM-C TYPE

FEATURES:

- *MODULATING, SOLID SS V-BALL, 60°, 45°, 30° V-BALL, NOT SEAT INSERT
- *NON-CLOGGING, FOR GENERAL & SLURRY APPLICATIONS
- *SHUT-OFF ANSI CLASS VI.
- *HIGH TEMPERATURE SEATS
- *COMPACT & EASY MAINTENANCE, AS CHANGE A STANDARD SEAT
- *MOUNTING PAD ISO 5211 STD
- *PNEUMATIC / ELECTRIC ACTUATOR, 3-15 PSI, 4-20 mA, HART Protocol, Profibus PA/Foundation Field Bus.
- *DIRECT / REVERSE & DOUBLE ACTION
- *PIPE THREAD IN ACCORDANCE WITH:
 - ANSI B2.1 (BASIC STD FOR STEEL PIPE THREADS)
 - ANSI B1.20 (NPTF), B521:1973, DIN259/2999, ISO228
- *1000 PSI W.O.G / BLOW-OUT PROOF STEM
- *HIGH PRESSURE DROP CAPABILITY
- *ECONOMICAL WITH LOW OPERATING COST

CE APPROVED

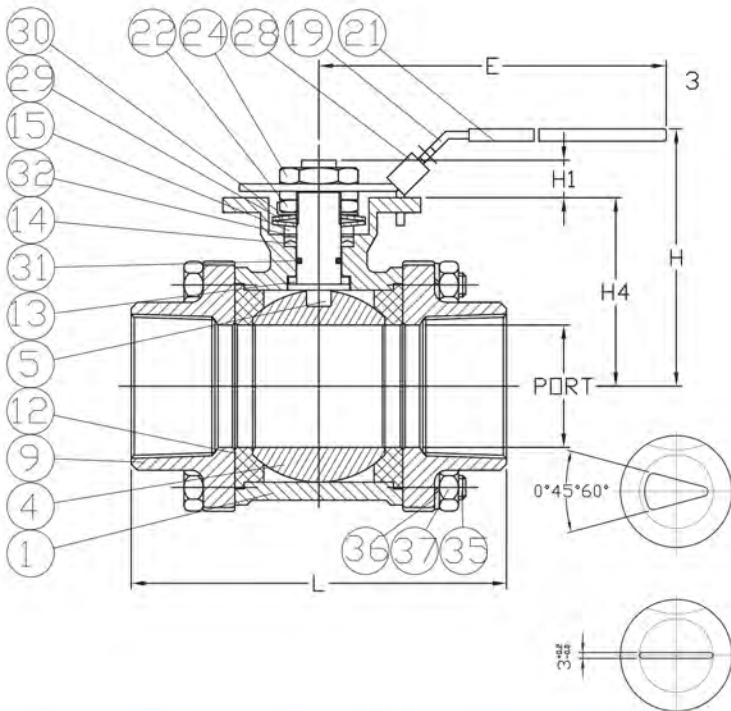


SIZE $\frac{1}{4}$ " - 4" NPT/SW
 3-Pieces

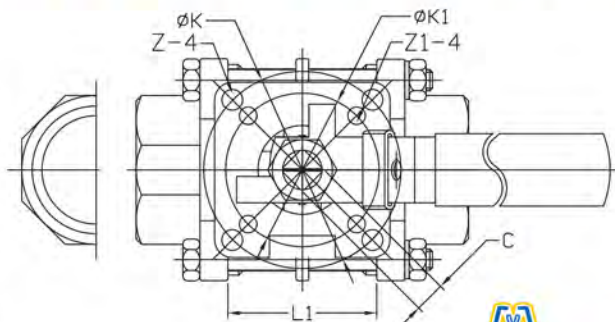
HOW TO ORDER

BODY MATL SIZE V-PORT (°) SEAT MATL PACKING MATL

31KM-C - - - -



PART	MATERIAL	
1	BODY	ASTM-A351-CF8M ASTM-A216-WCB
4	BALL	ASTM-A351-CF8M
5	STEM	ASTM-A351-CF8M
9	END CAP	ASTM-A351-CF8M
12	BALL SEAT	RPTFE
13	THRUST WASHER	RPTFE
14	STEM PACKING	RPTFE
15	GLAND BUSH	ASTM-A351-CF8
19	HANDLE	ASTM-A351-CF8
21	HANDLE SLEEVE	VINYL GRIP
22	STEM NUT	ASTM-A351-CF8
24	HANDLE NUT	ASTM-A351-CF8
28	LOCKING PAD	ASTM-A351-CF8
29	BELLEVILLE WASHER	ASTM-A351-CF8
30	TAB WASHER	ASTM-A351-CF8
31	O - RING	VITON
32	PACKING FOLLOWER	25% - PTFE
35	BODY BOLT	ASTM-A351-CF8
36	BOLT WASHER	ASTM-A351-CF8
37	BOLT NUT	ASTM-A351-CF8



VLV Size	Actuator Size MRP(XX)DA MRP(XX)SR		V-Port Angle (°)	Opening (%) and Angle of ball rotation										
				0%	10%	20%	30%	40%	50%	60%	70%	80%	90%	100%
				0°	9°	18°	27°	36°	45°	54°	63°	72°	81°	90°
1/4"	50	63(7)	Slot 3	0	0	0.14	0.40	0.66	0.92	1.20	1.46	1.72	1.98	2.2
			30°	0	0	0.11	0.22	0.37	0.58	0.85	1.15	1.62	2.10	2.55
			60°	0	0	0.15	0.35	0.50	0.82	1.30	1.90	3.05	4.35	5.90
3/8"	50	63(7)	Slot 3	0	0	0.14	0.40	0.66	0.92	1.20	1.46	1.72	1.98	2.2
			30°	0	0	0.12	0.22	0.34	0.57	0.85	1.14	1.60	2.10	2.55
			60°	0	0	0.14	0.35	0.50	0.85	1.36	1.96	3.11	4.38	5.93
1/2"	50	63(7)	Slot 3	0	0	0.14	0.40	0.66	0.92	1.20	1.46	1.72	1.98	2.2
			30°	0	0.04	0.23	0.47	0.77	1.19	1.83	2.47	3.43	4.65	5.58
			60°	0	0.05	0.28	0.73	1.11	1.83	2.92	4.29	7.00	9.43	12.78
3/4"	50	75(7)	Slot 3	0	0	0.14	0.40	0.66	0.92	1.20	1.46	1.72	1.98	2.2
			30°	0	0.07	0.30	0.61	0.99	1.57	2.42	3.25	4.52	6.12	7.34
			60°	0	0.08	0.35	0.93	1.46	2.42	3.85	5.64	9.21	12.41	16.28
1"	63	75(10)	30°	0	0.08	0.45	1.25	2.06	3.54	5.30	7.70	10.49	12.84	15.48
			60°	0	0.09	0.68	1.74	2.78	5.13	8.00	11.88	18.71	23.22	32.84
1-1/4"	75	88(9)	30°	0	0.08	0.48	1.37	2.47	4.12	6.08	8.82	11.76	14.87	17.39
			60°	0	0.09	0.67	2.04	3.41	6.47	10.80	15.39	22.35	33.37	44.20
1-1/2"	75	100(8)	30°	0	0.08	0.65	1.88	3.39	5.66	8.36	12.12	16.17	20.44	23.90
			60°	0	0.09	0.92	2.81	4.69	8.89	14.85	21.16	30.73	45.88	59.74
2"	88	125(7)	30°	0	0.09	1.18	3.79	7.53	12.26	17.83	26.44	36.45	48.09	55.92
			60°	0	0.11	1.51	5.80	10.39	20.60	33.98	48.75	69.04	104.23	136.50
2-1/2"	88	125(9)	30°	0	0.10	1.15	4.42	7.91	13.39	20.05	30.43	41.92	69.75	77.20
			60°	0	0.11	1.46	5.91	11.90	23.24	37.92	59.31	83.29	113.65	162.50
3"	100	145(8)	30°	0	0.13	1.20	4.15	9.49	15.96	26.78	38.91	53.31	69.77	85.91
			60°	0	0.16	2.89	6.70	15.82	29.36	46.32	73.60	106.74	149.88	193.20
4"	45	180(8)	30°	0	0.18	1.75	7.84	18.59	35.21	58.60	87.89	124.41	158.53	197.10
			60°	0	0.27	2.20	12.44	33.67	62.98	106.26	160.49	233.96	329.50	437.29

