

3-PIECE BALL VALVE
 ASTM A 351 - CF8M (DIN 1.4408) / ASTM A 351 – CF8
 (DIN 1.4301) ASTM A 216 – WCB (DIN 1.0619)

31KM TYPE

FEATURES:

- * MOUNTING PAD FOR ISO 5211 STD
- PIPE THREAD IN ACCORDANCE WITH:
 - * ANSI B2.1 (BASIC STD FOR STEEL PIPE THREADS)
 - * ANSI B1.20 (NPTF)
 - * BS21:1973
 - * DIN259/2999
 - * ISO228
- BLOW-OUT PROOF STEM
- FULL PORT
- 1000 PSI W.O.G
- LUG BODY
- LOCKING DEVICE
- MATERIAL TRACEABILITY
- MATERIALS:
 - * ASTM A351 CF8M / ASTM A 351 CF8 /
 - ASTM A 216 WCB



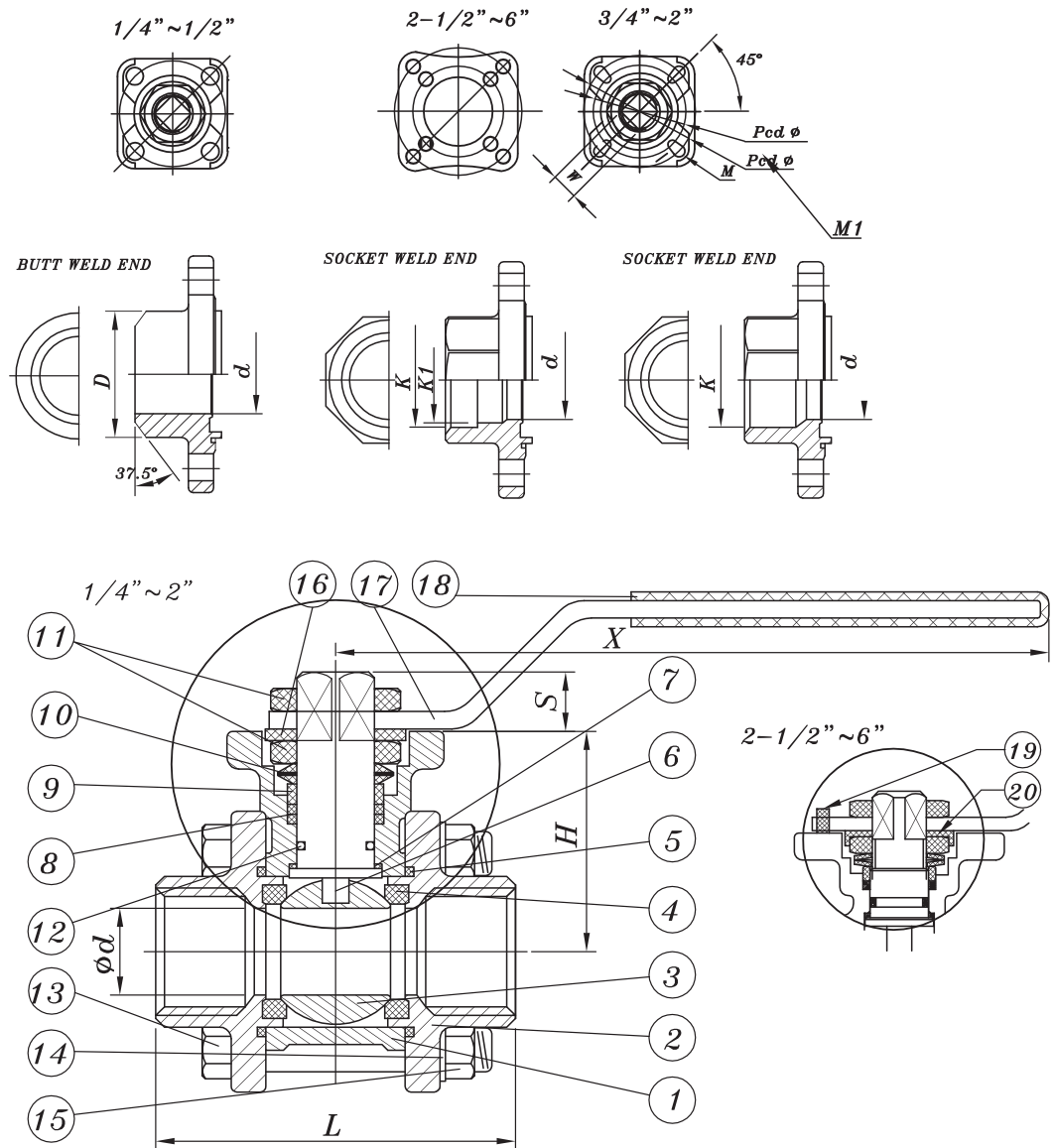
SIZE: 1/4" – 6"
 INVESTMENT CASTING
 BODY&CAPS

CE APPROVED

HOW TO ORDER

BODY MATERIAL SIZE END CONNECTIONS
 31KM F3T

NOMINAL SIZE	d	L	H	S	X	ISO 5211				Cv Torque		D	d	K	K1	
						Pcd	Ø	W	M	M1	Factor					Kgf-cm
1/4"	11.6	58	36	9.6	112	F03	Ø36	9	Ø6.0	X	6.6	45	Ø 18.1	Ø 11.6	Ø 14.1	X
3/8"	12.8	58	36	9.6	112	F03	Ø36	9	Ø6.0	X	7.9	45	Ø 18.1	Ø 12.7	Ø 17.6	X
1/2"	15	62	38	9.6	112	F03	Ø36	9	Ø6.0	X	11.2	55	Ø 21.7	Ø 15	Ø 21.7	X
3/4"	20	77	41.7	11.6	138	F04 F05	Ø42 Ø50	11	R3.5	R 3.0	21	90	Ø 27.2	Ø 20	Ø 27.2	X
1"	25	83	44.4	11.6	138	F04 F05	Ø42 Ø50	11	R 3.5	R 3.0	34	110	Ø 34	Ø 25	Ø 33.9	X
1 - 1/4"	20	94	52.8	11.2	205	F05 F07	Ø 50 Ø 70	14	R 4.5	R 3.5	57	155	Ø 42.7	Ø 32	Ø 42.6	X
1 - 1/2"	32	107	58.5	11.2	205	F05 F07	Ø 50 Ø 70	14	R 4.5	R 3.5	80	220	Ø 48.6	Ø 40	Ø 48.7	X
2"	38	120	66	11.2	205	F07 F10	Ø 70 Ø 102	14	R 4.5	R 3.5	148	330	Ø 60.5	Ø 50	Ø 61.1	K1
2 - 1/2"	50	156	101.5	18.5	300	F07 F10	Ø 70 Ø 102	17	Ø 11	Ø9.0	265	400	Ø 76.3	Ø 65	Ø 73.8	Ø 70.9
3"	80	182	112.5	18.5	300	F07 F10	Ø 70 Ø 102	17	Ø 11	Ø9.0	415	660	Ø 93	Ø 80	Ø 89.8	Ø 82.5
4"	100	213.6	127	18.5	330	F10 F12	Ø 102 Ø 125	17	Ø 11	Ø9.0	780	900	Ø114	Ø 100	Ø115.4	Ø 108
5"	125	283	158.5	47	500	F10 F12	Ø 102 Ø 125	27	Ø 14	Ø12	1040	1200	Ø139.8	Ø 125	Ø134.7	Ø127.2
6"	150	342	175	47	500	F10 F12	Ø 102 Ø 125	27	Ø 14	Ø12	1200	1500	Ø165.2	Ø 150	Ø161.5	Ø 154



PARTS	QTY	MATERIAL	
		31K	31K-C
1 BODY	1	ASTM-A351-CF8M	ASTM-A216-WCB
2 CAP	2	ASTM-A351-CF8M	ASTM-A216-WCB
3 BALL	1	ASTM-A351-CF8M	
4 BALL SEAT	2	15% - R-PTFE	
5 JOINT GASKET	2	PTFE	
6 STEM	1	ASTM-A351-CF8M	
7 THRUST WASHER	1	15% R-PTFE	
8 STEM PACKING	2	15% R- PTFE	
9 HIGH WASHER	1	ASTM-A351-CF8	
10 BELLEVILLE WASHER	2	ASTM-A351-CF8	
11 STEM NUT	2	ASTM-A351-CF8	
12 O-RING	1	VITON	
13 BOLT	1/4"~2"x 4	2-1/2"~ 4"x 6	ASTM-A351-CF8
14 SPRING WASHER	1/4"~2"x 4	2-1/2"~ 4"x 6	ASTM-A351-CF8
15 HEX NUT	1/4"~2"x 4	2-1/2"~ 4"x 6	ASTM-A351-CF8
16 STOPPER	1	ASTM-A351-CF8	
17 HANDLE	1	ASTM-A351-CF8	
18 HANDLE SLEEVE	1	PLASTIC (VINIL GRIP)	
19 STOPPER PIN	1	ASTM-A351-CF8	
20 LOCK WASHER	1	ASTM-A351-CF8	

