

BARSTOCK OR FORGING

ASTM A 351 - CF8M (DIN 1.4408) or A182 - F316
 ASTM A 351 - CF3 (DIN 1.4301) or A182 - F304
 ASTM A 216 - WCB (DIN 1.0619) or A105

36K TYPE

END CONNECTIONS:
 NPT, BSPP, SAE, ODT
 3 - PIECE BODY CONSTRUCTION

FEATURES:

- *PIPE THREAD IN ACCORDANCE WITH:
 - ANSI B2.1(BASIC STD FOR STEEL PIPE THREADS)
 - ANSI B1.20 (NPTF)
 - BS21:1973
 - DIN259/2999
 - ISO228
- *FULL PORT
- *BLOW-OUT PROOF STEM
- *PACKING: GFT , PEEK, Optional: KEL-F, POLYAMAN
- *WORKING PRESSURE: 6000 PSI
- *TEMPERATURE RATING:
 - *GFT 450 Deg ° F (232 Deg ° C)
 - *PEEK 700 Deg ° F (371 Deg ° C)
- BARSTOCK or FORGING BODY
- SEAT: DELRIN or PEEK
- *MATERIALS: 316 SST, CARBON STEEL, HATELLOY, MONEL,
- STADARDS: BS 5750, ISO9001-2000, MSS SP-99
- *TESTING
 - EACH VALVE IS TESTED WITH N2 AT 1000 PSI FOR SEAT & SEAL LEAKAGE
 - HYDRO TEST; PERFORMED WITH PURE WATER AT 1-1/2 TIMES OF THE WORKING PRESSURE
 - OTHER TEST LIKE H2, SEISMIC ARE AVAILABLE UPON REQUEST



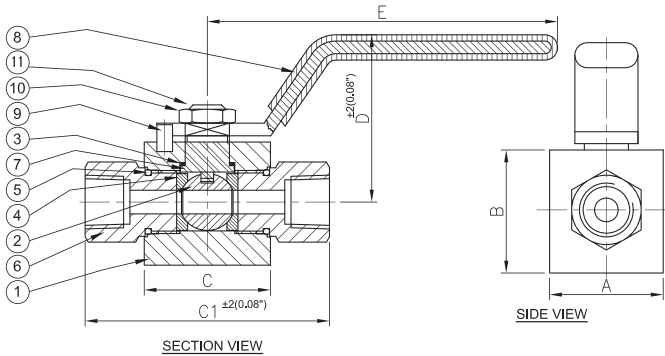
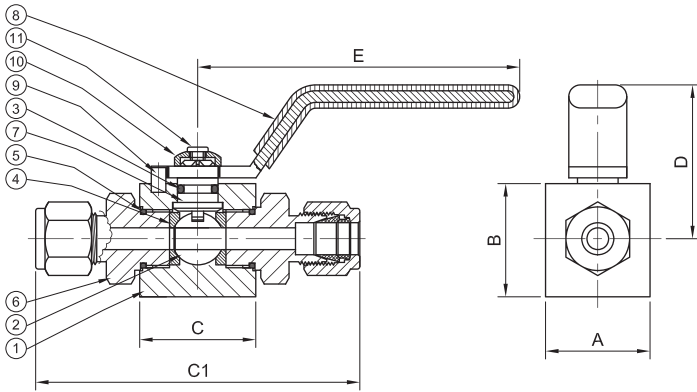
SIZE: 1/4" - 1"

CE APPROVED

Rating:
6000 Psi @ 70 ° F

HOW TO ORDER

BODY MATL SEAT MATL END CONN
 36K - -



PART	QTY	MATERIAL	
		36K	36K
1 BODY	1	ASTM-A351-CF8M / A182 - F316	ASTM-A216-WCB / A105
2 BALL	1	ASTM-A351-CF8M	ASTM-A351-CF8M
3 STEM PACKING	1	ASTM-A351-CF8M	ASTM-A351-CF8M
4 BALL SEATS	2	PEEK or DELRIN	
5 CONNECTOR SEAL	2	VITON	
6 CONNECTOR	2	ASTM-A351-CF8M	
7 STEM	1	ASTM-A351-CF8M	
8 HANDLE	1	M.S Powder coated	
9 LOCK PIN	1	ASTM-A351-CF8M	
10 WASHER	1	ASTM-A351-CF8M	
11 SCREW	1	AISI - 410	

SIZE	ORIFICE	A'	B'	C	C1	C1	C1	D	E
					F x F	M x M	T x T		
1/4"	5(0.20")	30(1.18")	33(1.30")	40(1.57")	76(2.99")	88(3.46")	95(3.74")	49(1.93")	110(4.33")
3/8"	8(0.31")	30(1.18")	33(1.30")	40(1.57")	76(2.99")	88(3.46")	104(4.09")	49(1.93")	110(4.33")
1/2"	9.5(0.37")	35(1.38")	38.1(1.5")	48(1.89")	96(3.78")	106(4.17")	115(4.53")	64(2.52")	180(7.09")
3/4"	12(0.47")	43(1.69")	49(1.93")	60(2.36")	108(4.25")	118(4.64")	123(4.84")	67(2.64")	180(7.09")
1"	20(0.79")	50(1.97")	56(2.20")	67(2.64")	125(4.92")	135(5.31")	150(4.90")	67(2.64")	180(7.09")