

2- PIECE FLANGED BALL VALVE
ANSI 150# / FLANGED END

FBV TYPE

FEATURES:

- FULL PORT
- FACE TO FACE DIMENSION:
*ANSI B16.10
- END FLANGE DIMENSION:
*ANSI B16.5
- TEST:
*API 598
- WITH ISO 5211 MOUNTING PAD
- INVESTMENT CASTING BODY
- BLOW-OUT PROOF STEM
- MATERIAL TRACEABILITY
- MATERIAL:
*A216 Gr-WCB / A351Gr-CF8 / A351Gr-CF8M
- 2-1/2" – 4" SOLID BALL OR HOLLOW BALL



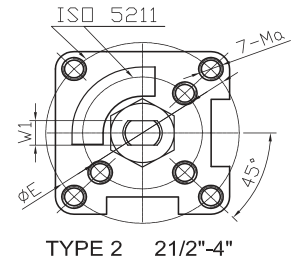
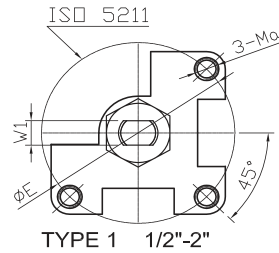
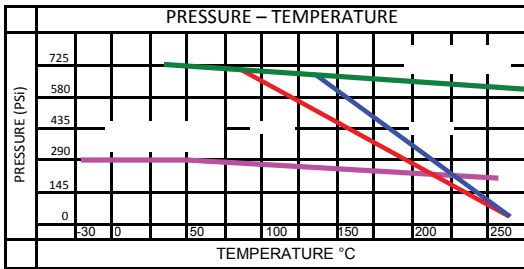
SIZE: 1/2" – 12"
FULL PORT

CE APPROVED

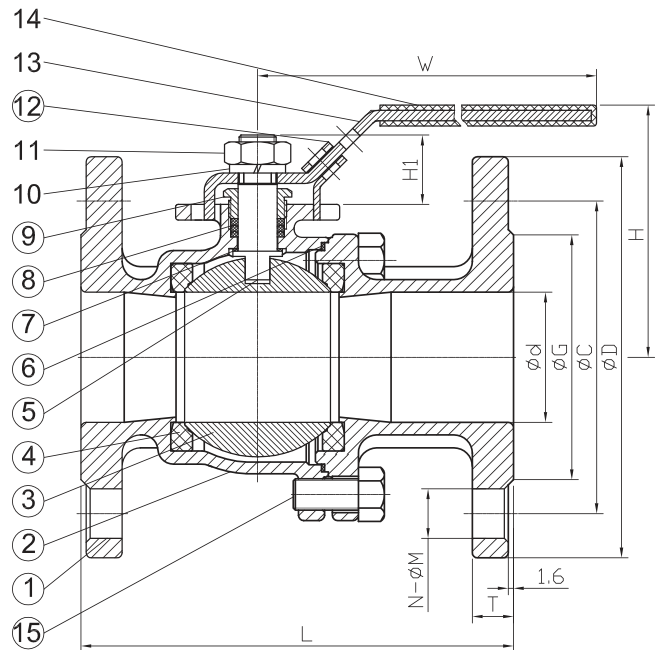
HOW TO ORDER

BODY MATERIAL
FBV

SIZE
 F1



PARTS	MATERIAL		
2 CAP	WCB	CF8	CF8M
4 SEAT		PTFE	
6 GASKET		PTFE	
8 PACKING		PTFE	
10 SPRING WASHER		SUS304	
12 LOCKING DEVICE		SUS304	
14 PLASTIC COVER		PLASTIC	

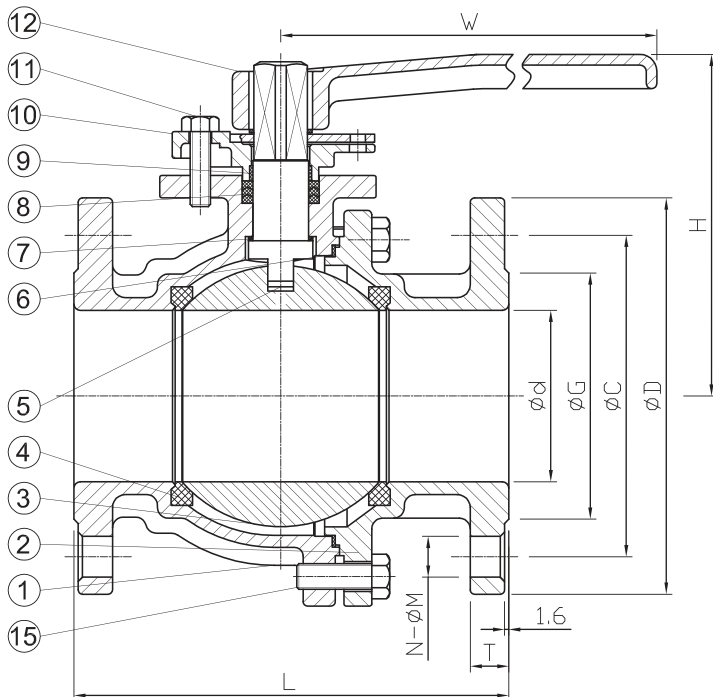
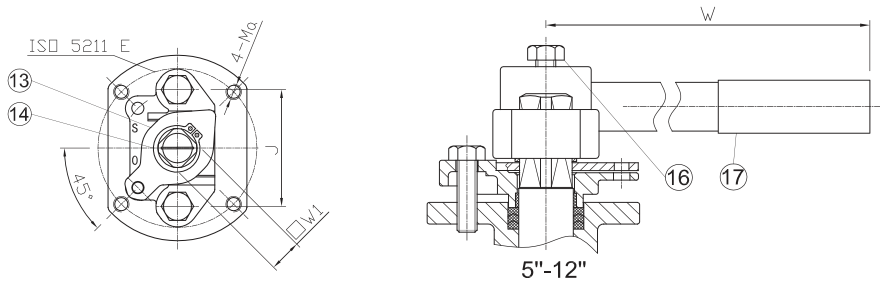


SIZE: 1/2" - 4"

NOMINAL SIZE	d	D	C	G	T	N-øM	L	H	H1	W	W1	ISO 5211	E	Ma
3/4"	20	98	70.0	43	12.1	4-ø16	117	76	16.5	123	6.5	F03	36	M5
1 1/4"	32	117	89.5	64	12.7	4-ø16	140	95	21.0	153	8.0	F04	42	M5
2"	50	152	120.5	92	15.9	4-ø19	178	132	37.5	246	12	F07	70	M8
3"	80	190	152.5	127	19.1	4-ø19	203	176	47.0	285	16	F07-F10	70-102	M10

SIZE: 5" - 12"

NOMINAL SIZE	d	D	C	G	T	N-øM	L	H	W	W1	J	ISO 5211	E	Ma	
					FC	SUS									
6"	150	279	241	216	25.4	25.4	8-ø22	394	247	750	24	89	F12	125	M12
10"	250	406	362.0	324	30.2	30.2	12-ø25	533	327	1000	32	100	F14	140	M16



PARTS	MATERIAL		
2 CAP	WCB	CF8	CF8M
4 SEAT		PTFE	
6 GASKET		PTFE	
8 PACKING		PTFE	
10 SPRING WASHER		SUS304	
12 LOCKING DEVICE		SUS304	
14 PLASTIC COVER		PLASTIC	