



2-PIECE FLANGED BALL VALVE
ANSI 300# / FLANGED END

FBV TYPE

SIZE: **1/2" – 10"**
FULL PORT

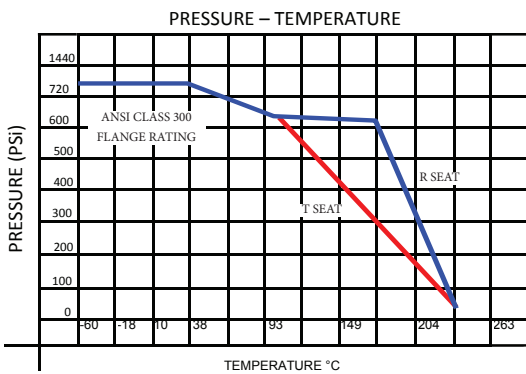
CE APPROVED

HOW TO ORDER

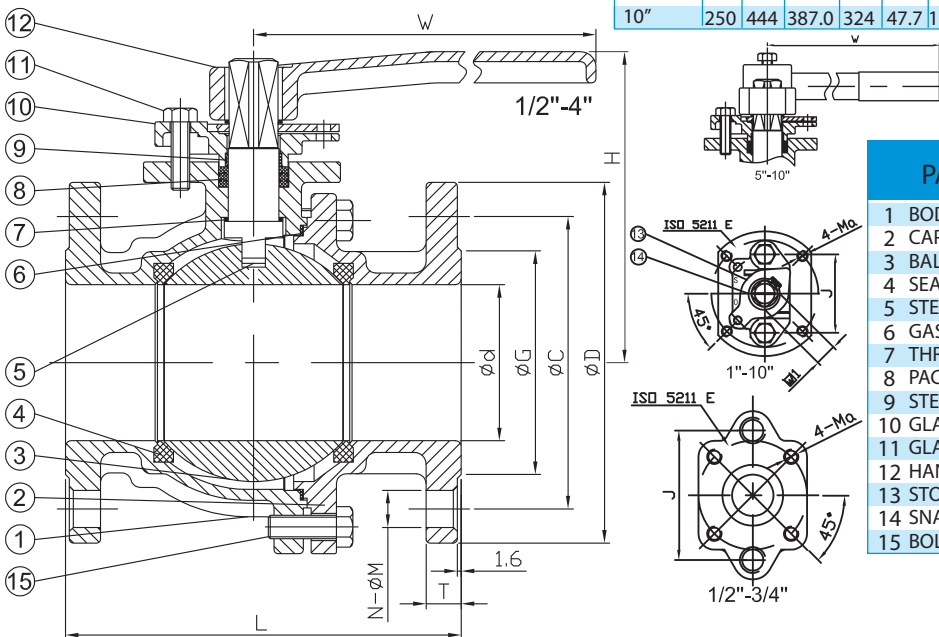
BODY MATERIAL SIZE
FBV F3

FEATURES:

- FACE TO FACE DIMENSION:
*ANSI B16.10
- END FLANGE DIMENSION:
*ANSI B16.5
- DESIGN:
*ANSI B16.34
- TEST:
*API 598
- WITH ISO 5211 MOUNTING PAD
- INVESTMENT CASTING BODY
- BLOW-OUT PROOF STEM
- LEVER OPERATED OR GEAR OPERATED
- MATERIAL TRACEABILITY
- MATERIALS: ASTM A351-CF8M / A 351-CF8
ASTM A216Gr-WCB



NOMINAL SIZE	d	D	C	G	T	N-øM	L	H	W	W1	J	ISO 5211	E	Ma
1/2"	15	95	66.5	35	14.3	4-ø16	140	140	160	12	50	F04	42	M5
3/4"	20	117	82.5	43	15.9	4-ø19	152	152	160	12	50	F04	42	M5
1"	25	124	89.0	51	17.5	4-ø19	165	165	160	12	50	F05	50	M6
1 1/4"	32	133	98.5	64	19.1	4-ø19	178	178	160	12	50	F05	50	M6
1 1/2"	40	156	114.5	73	20.7	4-ø22	190	190	186	17	62	F07	70	M8
2"	50	165	127.0	92	22.3	8-ø19	216	216	186	17	62	F07	70	M8
2 1/2"	65	190	149.0	105	25.4	8-ø22	241	241	324	21	75	F07	70	M8
3"	80	210	168.0	127	28.6	8-ø22	283	283	324	21	75	F10	102	M10
4"	100	254	200.0	157	31.8	8-ø22	305	305	324	21	75	F10	102	M10
5"	125	279	235.0	186	35.0	8-ø22	381	381	750	24	89	F12	125	M12
6"	150	318	270.0	216	36.6	12-ø22	403	403	750	24	89	F12	125	M12
8"	200	381	330.0	270	41.3	12-ø25	502	502	1000	32	100	F12	125	M12
10"	250	444	387.0	324	47.7	12-ø29	568	568	1000	32	100	F14	140	M16



PARTS	MATERIAL		
1 BODY	WCB	CF8	CF8M
2 CAP	WCB	CF8	CF8M
3 BALL	WCB	CF8	CF8M
4 SEAT		PTFE	
5 STEM	SUS304	SUS304	SUS316
6 GASKET		PTFE	
7 THRUST WASHER		PTFE	
8 PACKING		PTFE	
9 STEM PACKING		PTFE	
10 GLAND		CF8	
11 GLAND BOLT	B7	SUS304	SUS304
12 HANDLE		WCB	
13 STOPPER		SUS304	
14 SNAP		SUS304	
15 BOLT	B7	SUS304	SUS304