

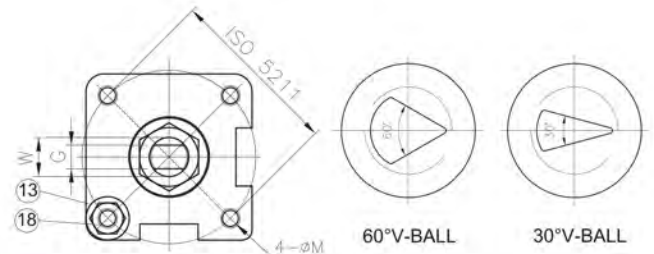
FBV-C TYPE

FEATURES:

- *MODULATING,SOLID SS V-BALL, 60°, 45°, 30° V- BALL, NOT SEAT INSERT
- *NON-CLOGGING, FOR GENERAL & SLURRY APPLICATIONS
- *SHUT-OFF ANSI CLASS VI.
- *HIGHT TEMPERATURE SEATS
- *COMPACT&EASY MAINTENANCE, AS CHANGE A STANDARD SEAT
- *PNEUMATIC / ELECTRIC ACTUATOR, 3-15 PSI, 4-20 mA, HART Protocol,Profibus PA/Foundation Field Bus.
- *DIRECT / REVERSE & DOUBLE ATION
- *FLANGED IN ACCORDANCE WITH:
 - ANSI B16.5 / B16.10
 - DIN 3202-F4
 - PN10/16(DIN 2633); PN25/40(2635)
- *HIGH PRESSURE DROP CAPABILITY
- *ECONOMICAL WITH LOW OPERATING COST
- *TEST:
 - API 598
 - *HIGH PRESSURE DROP CAPABILITY
 - *ECONOMICAL WITH LOW OPERATING COST
 - *MATERIAL TRACEABILITY



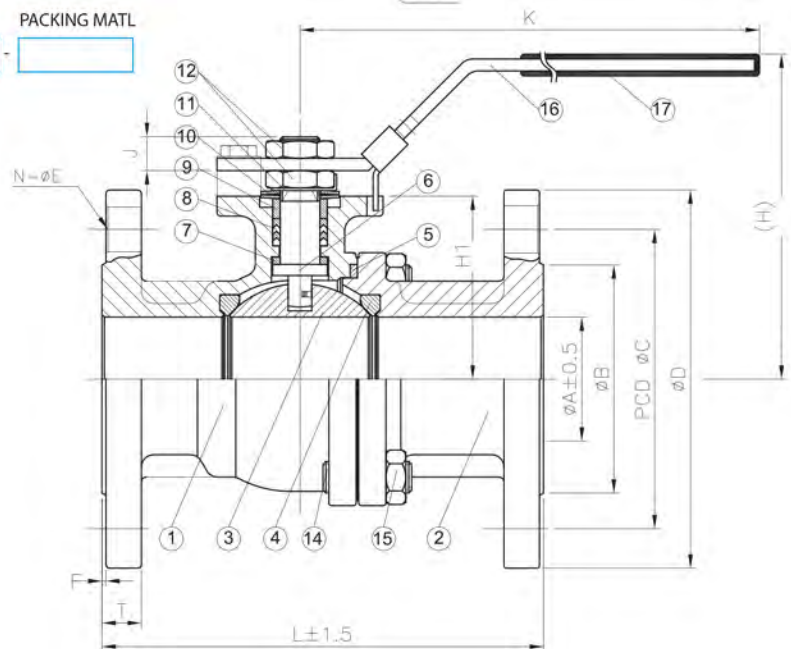
SIZE: 1/2" - 4" **CE APPROVED**
 * ANSI CLASS 150#/300#/DIN, FLANGED END
 * 2 PIECES



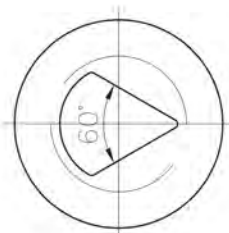
HOW TO ORDER

FBV-C BODY MATL - SIZE - V-PORT (°) - SEAT MATL - PACKING MATL

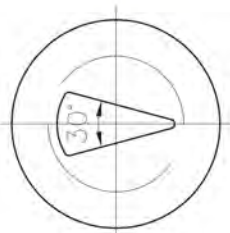
PART	MATERIAL
1	BODY WCB CF8M
2	END CAP WCB CF8M
3	V- BALL CF8 CF8M
4	SEAT PTFE
5	GASKET PTFE
6	STEM SS 304 SS 316
7	THRUST WASHER PTFE
8	STEM PACKING PTFE
9	STEM RING SS 304
10	BELLEVILLE WASHER SS 301
11	STOP WASHER SS 304
12	STEM NUT SS 304
14	BOLTS ASTM Gr B7 ASTM A193 Gr B8
15	BOLTS NUT ASTM A194 Gr 2HM ASTM A193 Gr 8



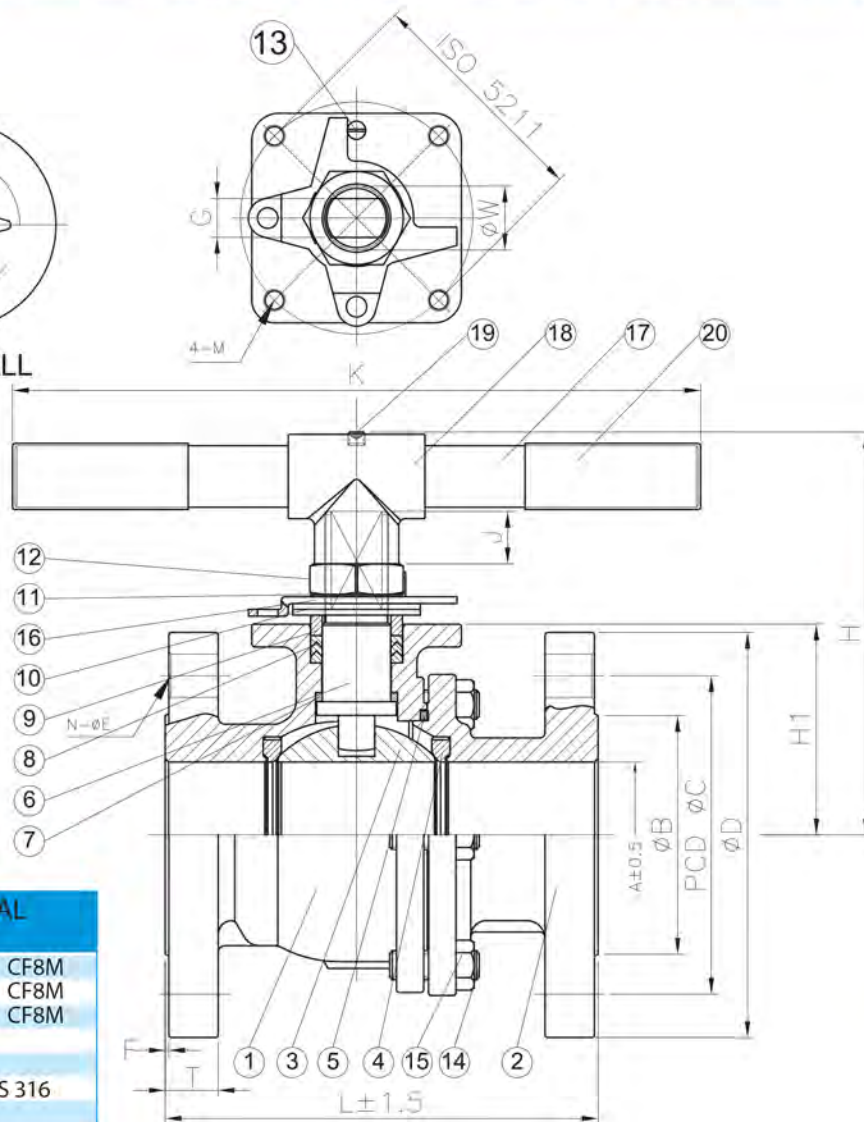
SIZE	A	B	C	D	T	F	N	E	H		K	L	W	M	G	W	Torque	SIZE	
1/2"	15	35	60.5	89	11.2	1.6	4	16	80	38.5	8.5	162	108	F04	M5 * 0.8P	10 - 24UNC	6.35	12	61.95
3/4"	20	43	70.0	98.6	12.7	1.6	4	16	84.5	42.5	8.5	162	117	F04	M5 * 0.8P	10 - 24 UNC	6.35	12	88.50
1"	25	51	79.2	108	14.3	1.6	4	16	102	52	12	196	127	F05	M6 * 1.0P	1/4 - 20 UNC	8.0	14	123.89
1 1/4"	32	63.5	88.9	117.5	15.9	1.6	4	16	102	56	12	196	140	F05	M6 * 1.0P	1/4 - 20 UNC	8.0	14	159.29
1 1/2"	38	73.2	98.6	127	17.5	1.6	4	16	125	65.25	12	226	165	F07	M8 * 1.25P	5/16 - 18 UNC	9.5	16	212.39
2"	50	92	120.7	152.5	19.1	1.6	4	19	132	73.75	12	226	178	F07	M8 * 1.25P	5/16 - 18UNC	9.5	16	336.28
2 1/2"	64	104.7	139.7	177.8	23.3	1.6	4	19	176.8	92.5	23	300	190	F10	M10 * 1.5P	3/8 - 16 UNC	17	17	530.97
3"	76	127	152.4	190.5	23.9	1.6	4	19	185.5	101.7	23	300	203	F10	M10 * 1.5P	3/8 - 16 UNC	17	17	654.87
4"	100	157.2	190.5	228.6	23.9	1.6	8	19	200	119	23	380	229	F10	M10 * 1.5P	3/8 - 16UNC	17	17	1150.44



60°V-BALL



30°V-BALL



PART	MATERIAL
1 BODY	WCB CF8M
2 END CAP	WCB CF8M
3 V- BALL	CF8 CF8M
4 SEAT	PTFE
5 GASKET	PTFE
6 STEM	SS 304 SS 316
7 STEM SEAL RING	PTFE
8 V-RING STEM PACKING	PTFE
9 SLEEVE	SS 304
10 BELLEVILLE WASHER	SS 301
11 STOP	SS 304
12 STEM NUT	SS 304
13	
14 BOLTS	ASTM Gr B7 ASTM A193 Gr B8
15 BOLTS NUT	ASTM A194 Gr 2HM ASTM A193 Gr 8

VLV Size	Actuator Size MRP(XX)DA MRP(XX)SR		V-Port Angle (°)	Opening (%) and Angle of ball rotation										
				0%	10%	20%	30%	40%	50%	60%	70%	80%	90%	100%
	DA	SR		0°	9°	18°	27°	36°	45°	54°	63°	72°	81°	90°
¼"	50	63(7)	Slot 3	0	0	0.14	0.40	0.66	0.92	1.20	1.46	1.72	1.98	2.2
			30°	0	0	0.11	0.22	0.37	0.58	0.85	1.15	1.62	2.10	2.55
			60°	0	0	0.15	0.35	0.50	0.82	1.30	1.90	3.05	4.35	5.90
3/8"	50	63(7)	Slot 3	0	0	0.14	0.40	0.66	0.92	1.20	1.46	1.72	1.98	2.2
			30°	0	0	0.12	0.22	0.34	0.57	0.85	1.14	1.60	2.10	2.55
			60°	0	0	0.14	0.35	0.50	0.85	1.36	1.96	3.11	4.38	5.93
1/2"	50	63(7)	Slot 3	0	0	0.14	0.40	0.66	0.92	1.20	1.46	1.72	1.98	2.2
			30°	0	0.04	0.23	0.47	0.77	1.19	1.83	2.47	3.43	4.65	5.58
			60°	0	0.05	0.28	0.73	1.11	1.83	2.92	4.29	7.00	9.43	12.78
3/4"	50	75(7)	Slot 3	0	0	0.14	0.40	0.66	0.92	1.20	1.46	1.72	1.98	2.2
			30°	0	0.07	0.30	0.61	0.99	1.57	2.42	3.25	4.52	6.12	7.34
			60°	0	0.08	0.35	0.93	1.46	2.42	3.85	5.64	9.21	12.41	16.28
1"	63	75(10)	30°	0	0.08	0.45	1.25	2.06	3.54	5.30	7.70	10.49	12.84	15.48
			60°	0	0.09	0.68	1.74	2.78	5.13	8.00	11.88	18.71	23.22	32.84
1-1/4"	75	88(9)	30°	0	0.08	0.48	1.37	2.47	4.12	6.08	8.82	11.76	14.87	17.39
			60°	0	0.09	0.67	2.04	3.41	6.47	10.80	15.39	22.35	33.37	44.20
1-1/2"	75	100(8)	30°	0	0.08	0.65	1.88	3.39	5.66	8.36	12.12	16.17	20.44	23.90
			60°	0	0.09	0.92	2.81	4.69	8.89	14.85	21.16	30.73	45.88	59.74
2"	88	125(7)	30°	0	0.09	1.18	3.79	7.53	12.26	17.83	26.44	36.45	48.09	55.92
			60°	0	0.11	1.51	5.80	10.39	20.60	33.98	48.75	69.04	104.23	136.50
2-1/2"	88	125(9)	30°	0	0.10	1.15	4.42	7.91	13.39	20.05	30.43	41.92	69.75	77.20
			60°	0	0.11	1.46	5.91	11.90	23.24	37.92	59.31	83.29	113.65	162.50
3"	100	145(8)	30°	0	0.13	1.20	4.15	9.49	15.96	26.78	38.91	53.31	69.77	85.91
			60°	0	0.16	2.89	6.70	15.82	29.36	46.32	73.60	106.74	149.88	193.20
4"	45	180(8)	30°	0	0.18	1.75	7.84	18.59	35.21	58.60	87.89	124.41	158.53	197.10
			60°	0	0.27	2.20	12.44	33.67	62.98	106.26	160.49	233.96	329.50	437.29

