

2- PIECE FLANGED BALL VALVE
DIN PN16 FLANGED END

FBV TYPE

FEATURES:

- FACE TO FACE DIMENSION:
*DIN 3202-F4
- END FLANGE DIMENSION:
*PN40 DIN 2633
- TEST:
*EN 12266-1
- WITH ISO 5211 MOUNTING PAD
- INVESTMENT CASTING BODY
- BLOW-OUT PROOF STEM
- LEVER OPERATED
- MATERIAL TRACEABILITY

MATERIALS:

- *CARBON STEEL (1.0619) / STAINLESS STEEL (304/1.4308) / STAINLESS STEEL (316/1.4408)

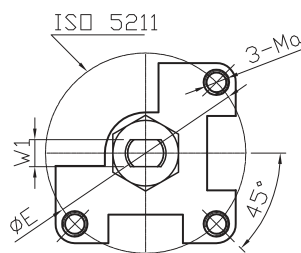
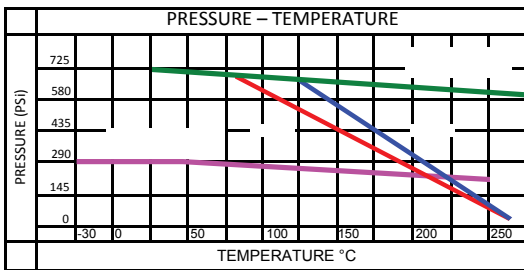


SIZE: DN15 – DN300
FULL PORT

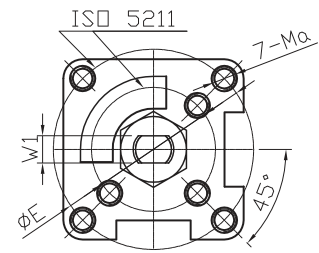
CE APPROVED

HOW TO ORDER

FBV BODY MATERIAL - SIZE - PN

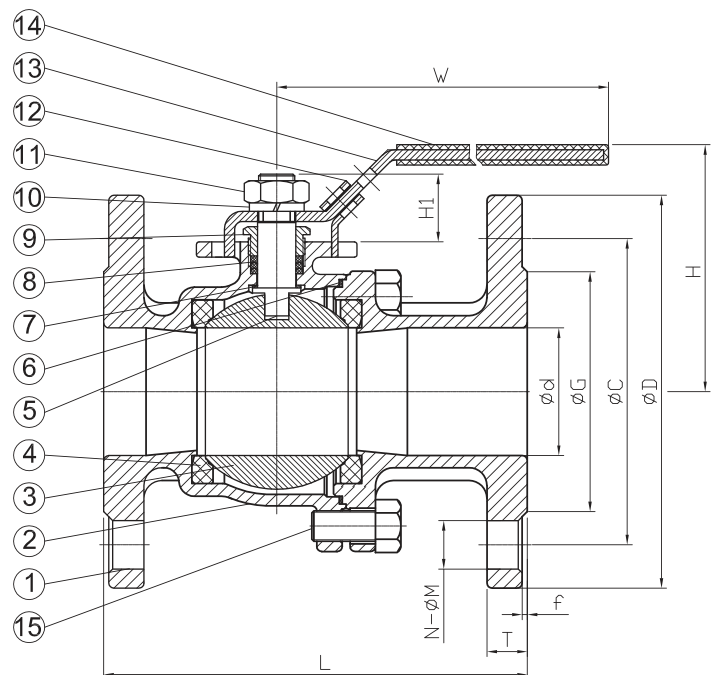


TYPE 1 DN15-DN50



TYPE 2 DN65-DN100

PARTS	MATERIAL		
	1.0619	1.4308	1.4408
2 CAP			
4 SEAT		PTFE	
6 GASKET		PTFE	
8 PACKING		PTFE	
10 SPRING WASHER		SUS304	
12 LOCKING DEVICE		SUS304	
14 PLASTIC COVER		PLASTIC	

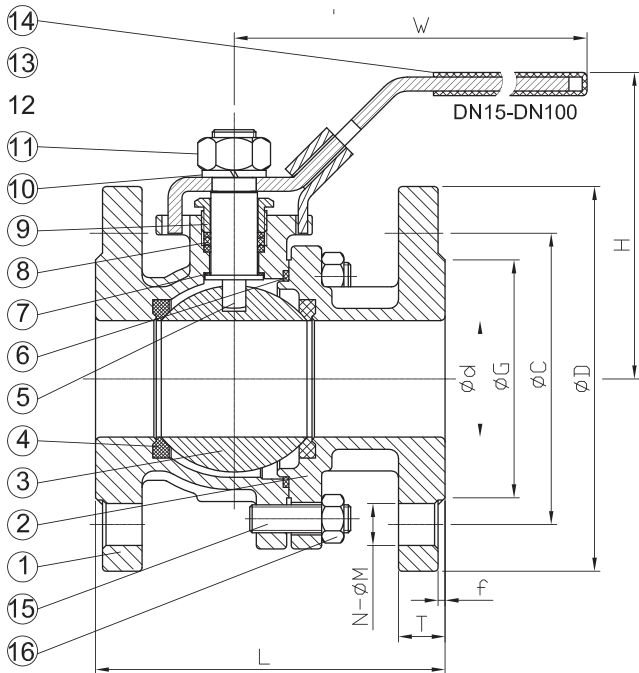
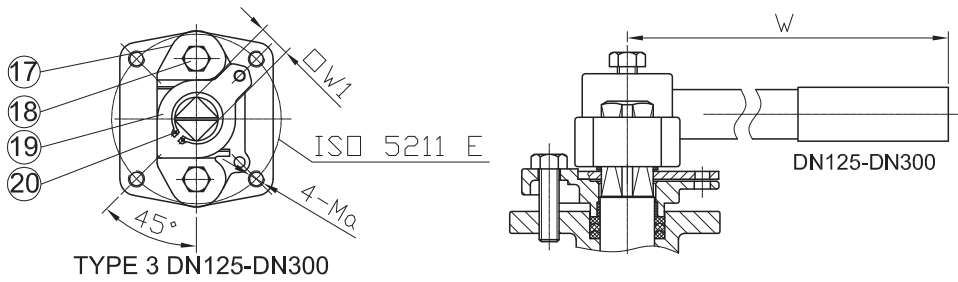


SIZE: DN15- DN100

NOMINAL SIZE	d	D	C	G	F	T	N-øM	L	H	H1	W	ISO 5211	E	Ma
20	20	105	75	58	2	18	4-ø14	120	76	16.5	123	F03	36	M5
32	32	140	100	78	2	18	4-ø18	130	95	23.5	183	F04	42	M5
50	50	165	125	102	3	18	4-ø18	150	132	37.5	246	F07	70	M8
80	80	200	160	138	3	20	8-ø18	180	176	47.0	285	F07-F10	70-102	M10

SIZE: DN125- DN300

NOMINAL SIZE	d	D	C	G	F	T	N-øM	L	H	W	W1	ISO 5211	E	Ma
150	150	285	240	212	3	22	8-ø22	350	247	750	24	F12	125	M12
250	250	405	355	320	3	26	12-ø26	450	327	1000	32	F14	140	M16



PARTS	MATERIAL		
2 CAP	1.0619	1.4308	1.4408
4 SEAT		PTFE	
6 GASKET		PTFE	
8 PACKING		PTFE	
10 SPRING WASHER		SUS304	
12 LOCKING DEVICE		SUS304	
14 PLASTIC COVER		PLASTIC	
16 NUT		SUS304	
18 GLAND BOLT		SUS304	
20 SNAP RING		SUS304	