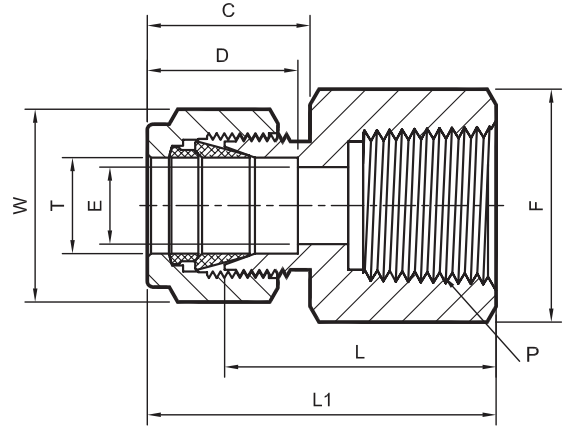


FEMALE CONNECTOR

FC TYPE

SIZE: 1/16" – 1"

* END: Fractional tube x NPTF



Part Number	Equivalent P/N 1	Equivalent P/N 2	Tube OD ØT (INCHES)	NPT FEMALE PIPE SIZE P	ØE	D	C	L1	LX	Body Hex F	Nut Hex W
FC-1-1	-100-7-1	1FSC1N	1/16	1/16	0.05	0.34	0.43	0.93	0.78	7/16	7/16
FC-1-2	-100-7-2	1FSC2N	1/16	1/8	0.05	0.34	0.43	0.96	0.81	9/16	7/16
FC-2-2	-200-7-2	2FSC2N	1/8	1/8	0.09	0.50	0.60	1.13	0.87	9/16	7/16
FC-2-4	-200-7-4	2FSC4N	1/8	1/4	0.09	0.50	0.60	1.32	1.06	3/4	7/16
FC-3-2	-300-7-2	3FSC2N	3/16	1/8	0.12	0.54	0.63	1.17	0.91	9/16	7/16
FC-3-4	-300-7-4	3FSC4N	3/16	1/4	0.12	0.54	0.64	1.35	1.09	3/4	1/2
FC-4-2	-400-7-2	4FSC2N	1/4	1/8	0.19	0.60	0.70	1.23	0.94	9/16	9/16
FC-4-4	-400-7-4	4FSC4N	1/4	1/4	0.19	0.60	0.70	1.41	1.12	3/4	9/16
FC-4-6	-400-7-6	4FSC6N	1/4	3/8	0.19	0.60	0.70	1.48	1.19	7/8	9/16
FC-4-8	-400-7-8	4FSC8N	1/4	1/2	0.19	0.60	0.70	1.67	1.38	1-1/16	9/16
FC-5-2	-500-7-2	5FSC2N	5/16	1/8	0.25	0.64	0.73	1.26	0.97	9/16	5/8
FC-5-4	-500-7-4	5FSC4N	5/16	1/4	0.25	0.64	0.73	1.45	1.16	3/4	5/8
FC-5-6	-500-7-6	5FSC6N	5/16	3/8	0.25	0.64	0.73	1.45	1.00	7/8	5/8
FC-6-2	-600-7-2	6FSC2N	3/8	1/8	0.28	0.66	0.76	1.29	1	5/8	11/16
FC-6-4	-600-7-4	6FSC4N	3/8	1/4	0.28	0.66	0.76	1.48	1.19	3/4	11/16
FC-6-6	-600-7-6	6FSC6N	3/8	3/8	0.28	0.66	0.76	1.54	1.25	7/8	11/16
FC-6-8	-600-7-8	6FSC8N	3/8	1/2	0.28	0.66	0.76	1.73	1.44	1-1/16	11/16
FC-6-12	-600-7-12	6FSC12N	3/8	3/4	0.28	0.66	0.76	1.88	1.59	1-5/16	11/16
FC-8-4	-810-7-4	8FSC4N	1/2	1/4	0.41	0.90	0.86	1.59	1.19	13/16	7/8
FC-8-6	-810-7-6	8FSC6N	1/2	3/8	0.41	0.90	0.86	1.65	1.25	7/8	7/8
FC-8-8	-810-7-8	8FSC8N	1/2	1/2	0.41	0.90	0.86	1.84	1.44	1-1/16	7/8
FC-8-12	-810-7-12	8FSC12N	1/2	3/4	0.41	0.90	0.86	1.90	1.5	1-5/16	7/8
FC-10-6	-1010-7-6	10FSC6N	5/8	3/8	0.50	0.96	0.86	1.65	1.25	15/16	1
FC-10-8	-1010-7-8	10FSC8N	5/8	1/2	0.50	0.96	0.86	1.84	1.44	1-1/16	1
FC-10-12	-1010-7-12	10FSC12N	5/8	3/4	0.50	0.96	0.86	1.90	1.5	1-5/16	1
FC-12-8	-1210-7-8	12FSC8N	3/4	1/2	0.62	0.96	0.86	1.84	1.44	1-1/16	1-1/8
FC-12-12	-1210-7-12	12FSC12N	3/4	3/4	0.62	0.96	0.86	1.90	1.5	1-5/16	1-1/8
FC-14-12	-1410-7-12	14FSC12N	7/8	3/4	0.72	1.02	0.86	1.96	1.56	1-5/16	1-1/4
FC-16-12	-1610-7-12	16FSC12N	1	3/4	0.88	1.23	1.04	2.10	1.62	1-3/8	1-1/2
FC-16-16	-1610-7-16	16FSC16N	1	1	0.88	1.23	1.04	2.45	1.97	1-5/8	1-1/2

NOTES:

- * The "E" dimension is the minimum opening.
- * Dimension "L1 & D" is shown in the finger-tight position.
- * NPT thread as per ANSI B1.20.1.

- * Dimensions are for reference only and are subject to change.
- * **All part numbers are proprietary of their respective owners**