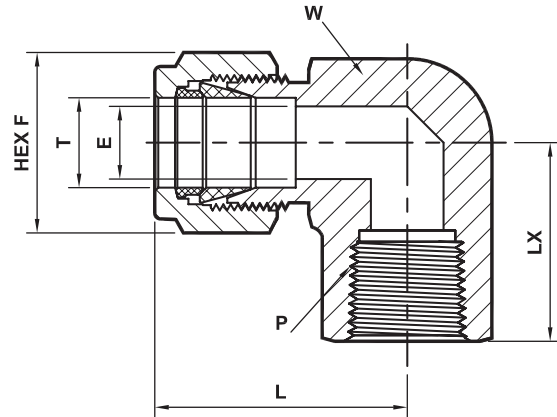


FE TYPE

SIZE: 1/16" - 1"
 * END: Fractional tube x NPTF



CE APPROVED



Part Number	Equivalent P/N 1	Equivalent P/N 2	Tube OD ØT (INCHES)	NPT FEMALE PIPE SIZE P	ØE	D	C	L1	LX	Body Hex F	Nut Hex W
FE-1-1	-100-8-1	1FEL1N	1/16	1/16	0.05	0.50	0.60	0.71	0.56	9/16	9/16
FE-1-2	-100-8-2	1FEL2N	1/16	1/8	0.05	0.50	0.60	0.81	0.66	9/16	9/16
FE-2-2	-200-8-2	2FEL2N	1/8	1/8	0.09	0.50	0.60	0.97	0.75	9/16	7/16
FE-2-4	-200-8-4	2FEL4N	1/8	1/4	0.09	0.50	0.60	1.08	0.88	11/16	7/16
FE-3-2	-300-8-2	3FEL2N	3/16	1/8	0.12	0.54	0.63	1.00	0.75	9/16	9/16
FE-4-2	-400-8-2	4FEL2N	1/4	1/8	0.19	0.60	0.70	1.06	0.75	9/16	9/16
FE-4-4	-400-8-4	4FEL4N	1/4	1/4	0.19	0.60	0.70	1.17	0.88	7/8	9/16
FE-4-6	-400-8-6	4FEL6N	1/4	3/8	0.19	0.60	0.70	1.25	0.88	7/8	9/16
FE-4-8	-400-8-8	4FEL8N	1/4	1/2	0.19	0.60	0.70	1.36	1.12	1-1/16	9/16
FE-5-2	-500-8-2	5FEL2N	5/16	1/8	0.25	0.64	0.73	1.13	0.75	9/16	5/8
FE-5-4	-500-8-4	5FEL4N	5/16	1/4	0.25	0.64	0.73	1.20	0.88	13/16	5/8
FE-6-2	-600-8-2	6FEL2N	3/8	1/8	0.28	0.66	0.76	1.20	0.75	7/8	11/16
FE-6-4	-600-8-4	6FEL4N	3/8	1/4	0.28	0.66	0.76	1.23	0.88	7/8	11/16
FE-6-6	-600-8-6	6FEL6N	3/8	3/8	0.28	0.66	0.76	1.31	0.88	7/8	11/16
FE-6-8	-600-8-8	6FEL8N	3/8	1/2	0.28	0.66	0.76	1.42	1.12	1-1/16	11/16
FE-8-4	-810-8-4	8FEL4N	1/2	1/4	0.41	0.90	0.86	1.42	0.88	13/16	7/8
FE-8-6	-810-8-6	8FEL6N	1/2	3/8	0.41	0.90	0.86	1.42	0.88	13/16	7/8
FE-8-8	-810-8-8	8FEL8N	1/2	1/2	0.41	0.90	0.86	1.53	1.12	1-1/16	7/8
FE-10-6	-1010-8-6	10FEL6N	5/8	3/8	0.50	0.96	0.86	1.50	0.88	15/16	1
FE-10-8	-1010-8-8	10FEL8N	5/8	1/2	0.50	0.96	0.86	1.57	1.12	1-1/16	1
FE-12-8	-1210-8-8	12FEL8N	3/4	1/2	0.62	0.96	0.86	1.57	1.12	1-1/16	1-1/8
FE-12-12	-1210-8-12	12FEL12N	3/4	3/4	0.62	0.96	0.86	1.76	1.25	1-3/8	1-1/8
FE-14-12	-1410-8-12	14FEL12N	7/8	3/4	0.72	1.02	0.86	1.76	1.25	1-3/8	1-1/4
FE-16-12	-1610-8-12	16FEL12N	1	3/4	0.88	1.23	1.04	1.93	1.25	1-3/8	1-1/2
FE-16-16	-1610-8-16	16FEL16N	1	1	0.88	1.23	1.04	2.11	1.50	1-11/16	1-1/2

NOTES:

- * The "E" dimension is the minimum opening.
- * Dimension "L1 & D" is shown in the finger-tight position.
- * NPT thread as per ANSI B1.20.1.

- * Dimensions are for reference only and are subject to change.
- * **All part numbers are proprietary of their respective owners**