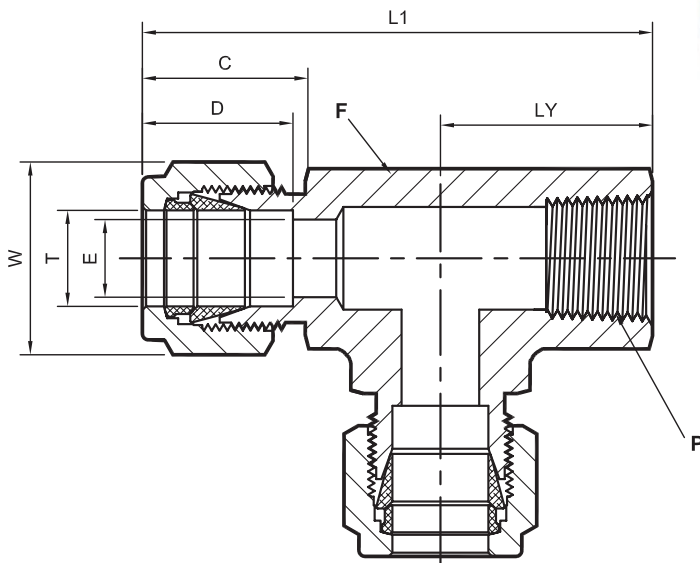


FEMALE RUN TEE

FRT TYPE

SIZE: 1/8" – 1"

* END: Fractional tube x NPTF



Part Number	Equivalent P/N 1	Equivalent P/N 2	Tube OD ØT (INCHES)	NPT FEMALE PIPE SIZE P	ØE	D	C	L1	LY	Body Hex F	Nut Hex W
FRT-2-2	-100-8-1	1FEL1N	1/8	1/8	0.09	0.50	0.60	1.72	0.75	9/16	7/16
FRT-3-2	-100-8-2	1FEL2N	3/16	1/8	0.09	0.50	0.60	1.76	0.75	9/16	7/16
FRT-4-2	-200-8-2	2FEL2N	1/4	1/8	0.19	0.60	0.70	1.81	0.75	9/16	9/16
FRT-4-4	-200-8-4	2FEL4N	1/4	1/4	0.19	0.60	0.70	2.05	0.88	11/16	9/16
FRT-5-2	-300-8-2	3FEL2N	5/16	1/8	0.19	0.60	0.60	1.92	0.75	5/8	5/8
FRT-6-4	-400-8-2	4FEL2N	3/8	1/4	0.28	0.66	0.76	2.11	0.88	13/16	13/16
FRT-8-4	-400-8-4	4FEL4N	1/2	1/4	0.19	0.60	0.70	2.56	1.13	7/8	7/8
FRT-8-6	-400-8-6	4FEL6N	1/2	3/8	0.41	0.90	0.86	2.30	0.88	7/8	7/8
FRT-8-8	-400-8-8	4FEL8N	1/2	1/2	0.41	0.90	0.86	2.69	1.12	1-1/16	7/8
FRT-10-8	-500-8-2	5FEL2N	5/8	1/2	0.41	0.90	0.86	2.66	1.13	1-1/16	1.00
FRT-12-12	-500-8-4	5FEL4N	3/4	3/4	0.62	0.96	0.86	3.01	1.25	1-3/8	1-1/8
FRT-14-8	-600-8-2	6FEL2N	7/8	1/2	0.41	0.90	0.86	3.01	1.25	1-3/8	1-1/4
FRT-14-12	-600-8-4	6FEL4N	7/8	3/4	0.62	0.96	0.86	3.01	1.25	1-3/8	1-1/4
FRT-16-12	-600-8-6	6FEL6N	1	3/4	0.88	1.23	1.04	3.18	1.25	1-3/8	1-1/2
FRT-16-16	-600-8-8	6FEL8N	1	1	0.88	1.23	1.04	3.61	1.50	1-11/16	1-1/2

NOTES:

- * The "E" dimension is the minimum opening.
- * Dimension "L1 & D" is shown in the finger-tight position.
- * ZNPT thread as per ANSI B1.20.1.

- * Dimensions are for reference only and are subject to change.
- * **All part numbers are proprietary of their respective owners**