

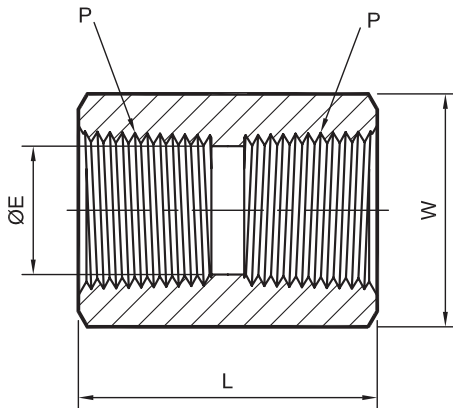
HEX COUPLING

# HC TYPE

SIZE: 1/16" – 2"  
 \* END: NPT(F) x NPT(F)



CE APPROVED



Part Number	Equivalent P/N 1	Equivalent P/N 1	NPT FEMALE PIPE SIZE P	Body Hex F	ØE	L
HC - 1		1-1FHC	1/16	1/2	0.25	0.75
HC - 2	SS - 2 - HCG	2-2FHC	1/8	9/16	0.34	0.81
HC - 4	SS - 4 - HCG	4-4FHC	1/4	3/4	0.45	1.19
HC - 6	SS - 6 - HCG	6-6FHC	3/8	7/5	0.59	1.31
HC - 8	SS - 8 - HCG	8-8FHC	1/2	1-1/16	0.73	1.56
HC - 12	SS - 12 - HCG	12-12FHC	3/4	1-1/4	0.94	1.62
HC - 16	SS - 16 - HCG	16-16FHC	1	1-5/8	1.17	2
HC - 20	SS - 20 - HCG	20-20FHC	1-1/4	2-1/8	1.5	2.38
HC - 24	SS - 24 - HCG	24-24FHC	1-1/2	2-3/8	1.73	2.62
HC - 32	SS - 32 - HCG		2	2-7/8	2.22	2.62

**NOTES:**

- \* The "E" dimension is the minimum opening.
- \* Dimension "L1 & D" is shown in the finger-tight position.

- \* Dimensions are for reference only and are subject to change.
- \* **All part numbers are proprietary of their respective owners**