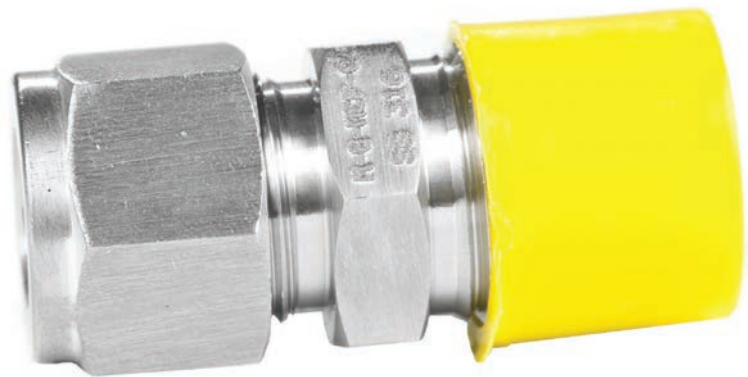


MALE CONNECTOR

MC TYPE

SIZE: 1/8" – 2"

* END: Fractional tube x NPTF



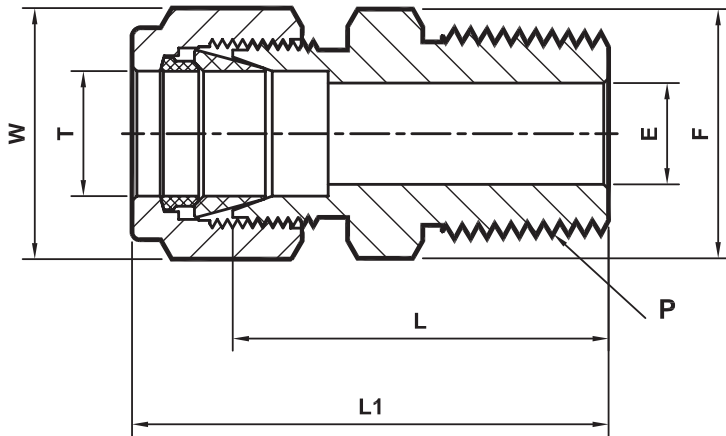
CE APPROVED

Part Number	Equivalent P/N 1	Equivalent P/N 2	Tube OD ØT (INCHES)	NPT FEMALE PIPE SIZE P	ØE	D	C	L1	LY	Body Hex F	Nut Hex W
MC-1-1	-100-1-1	1MSC1N	1/16	1/16	0.05	0.34	0.43	0.94	0.79	7/16	7/16
MC-1-2	-100-1-2	1MSC2N	1/16	1/8	0.05	0.34	0.43	1.03	0.88	7/16	7/16
MC-1-4	-100-1-4	1MSC4N	1/16	1/4	0.05	0.34	0.43	1.22	1.07	9/16	7/16
MC-2-1	-200-1-1	2MSC1N	1/8	1/16	0.09	0.05	0.60	1.17	0.91	7/16	7/16
MC-2-2	-200-1-2	2MSC2N	1/8	1/8	0.09	0.50	0.60	1.94	0.75	9/16	7/16
MC-2-2	-200-1-4	2MSC4N	1/8	1/4	0.09	0.05	0.60	1.40	1.14	9/16	7/16
MC-2-6	-200-1-6	2MSC6N	1/8	3/8	0.09	0.05	0.60	1.41	1.15	11/16	7/16
MC-2-4	-200-1-8	2MSC8N	1/8	1/2	0.09	0.05	0.60	1.66	1.40	7/8	7/16
MC-3-1	-300-1-1	3MSC1N	3/16	1/16	0.12	0.05	0.64	1.23	0.97	7/16	7/16
MC-3-2	-300-1-2	3MSC2N	3/16	1/8	0.12	0.54	0.63	1.23	0.97	9/16	7/16
MC-3-4	-300-1-4	3MSC4N	3/16	1/4	0.12	0.54	0.63	1.43	1.17	9/16	9/16
MC-4-1	-400-1-1	4MSC1N	1/4	1/16	0.12	0.60	0.70	1.29	1.00	9/16	9/16
MC-4-2	-400-1-2	4MSC2N	1/4	1/8	0.19	0.60	0.70	1.29	1.00	9/16	9/16
MC-4-4	-400-1-4	4MSC4N	1/4	1/4	0.19	0.60	0.70	1.49	1.20	9/16	9/16
MC-4-6	-400-1-6	4MSC6N	1/4	3/8	0.19	0.60	0.70	1.51	1.22	11/16	9/16
MC-4-8	-400-1-8	4MSC8N	1/4	1/2	0.19	0.60	0.70	1.76	1.47	7/8	9/16
MC-4-12	-400-1-12	4MSC12N	1/4	3/4	0.19	0.60	0.70	1.82	1.53	1-1/16	9/16
MC-5-2	-500-1-2	5MSC2N	5/16	1/8	0.19	0.64	0.73	1.34	1.05	9/16	5/8
MC-5-4	-500-1-4	5MSC4N	5/16	1/4	0.25	0.64	0.73	1.52	1.23	9/16	5/8
MC-5-6	-500-1-6	5MSC6N	5/16	3/8	0.25	0.64	0.73	1.54	1.50	11/16	5/8
MC-5-8	-500-1-8	5MSC8N	5/16	1/2	0.25	0.60	0.73	1.79	1.25	7/8	5/8

NOTES:

- * The "E" dimension is the minimum opening.
- * Dimension "L1 & D" is shown in the finger-tight position.
- * NPT thread as per ANSI B1.20.1.

- * Dimensions are for reference only and are subject to change.
- * **All part numbers are proprietary of their respective owners**



Part Number	Equivalent P/N 1	Equivalent P/N 2	Tube OD ØT (INCHES)	NPT FEMALE PIPE SIZE P	ØE	D	C	L1	LY	Body Hex F	Nut Hex W
MC-6-2	-600-1-2	6MSC2N	3/8	1/8	0.19	0.66	0.76	1.39	1.10	5/8	11/16
MC-6-4	-600-1-4	6MSC4N	3/8	1/4	0.28	0.66	0.76	1.57	1.28	5/8	11/16
MC-6-6	-600-1-6	6MSC6N	3/8	3/8	0.28	0.66	0.76	1.57	1.28	11/16	11/16
MC-6-8	-600-1-8	6MSC8N	3/8	1/2	0.28	0.66	0.76	1.82	1.53	7/8	11/16
MC-6-12	-600-1-12	6MSC12N	3/8	3/4	0.28	0.66	0.76	1.88	1.59	1-1/16	11/16
MC-8-2	-810-1-2	8MSC2N	1/2	1/8	0.19	0.90	0.86	1.53	1.13	7/8	7/8
MC-8-4	-810-1-4	8MSC4N	1/2	1/4	0.28	0.90	0.86	1.71	1.31	7/8	7/8
MC-8-6	-810-1-6	8MSC6N	1/2	3/8	0.38	0.90	0.86	1.71	1.31	7/8	7/8
MC-8-8	-810-1-8	8MSC8N	1/2	1/2	0.41	0.90	0.86	1.93	1.53	7/8	7/8
MC-8-12	-810-1-12	8MSC12N	1/2	3/4	0.41	0.90	0.86	1.99	1.53	7/8	7/8
MC-10-6	-1010-1-6	10MSC6N	5/8	3/8	0.38	0.96	0.86	1.34	1.74	1	1
MC-10-8	-1010-1-8	10MSC8N	5/8	1/2	0.47	0.96	0.86	1.93	1.53	1-1/16	1
MC-10-12	-1010-1-12	10MSC12N	5/8	3/4	0.50	0.96	0.86	1.99	1.59	1-1/16	1
MC-12-8	-1210-1-8	12MSC8N	3/4	1/2	0.47	0.96	0.86	1.99	1.59	1-1/16	1-1/8
MC-12-12	-1210-1-12	12MSC12N	3/4	3/4	0.62	0.96	0.86	1.99	1.59	1-1/16	1-1/8
MC-12-16	-1210-1-16	12MSC16N	3/4	1	0.62	0.96	0.86	2.25	1.85	1-3/8	1-1/8
MC-14-12	-1410-1-12	14MSC12N	7/8	3/4	0.62	1.02	0.86	1.99	1.59	1-3/16	1-1/4
MC-14-16	-1410-1-16	14MSC16N	7/8	1	0.72	1.02	0.86	2.25	1.85	1-3/8	1-1/4
MC-16-8	-1610-1-8	16MSC8N	1	1/2	0.47	1.23	1.04	2.26	1.78	1-3/8	1-1/2
MC-16-12	-1610-1-12	16MSC12N	1	3/4	0.62	1.23	1.04	2.26	1.78	1-3/8	1-1/2
MC-16-16	-1610-1-16	16MSC16N	1	1	0.88	1.23	1.04	2.45	1.97	1-3/8	1-1/2
MC-20-16	-2000-1-16	20MSC16N	1 - 1/4	1	0.88	1.62	1.53	2.17	3.04	1.3/4	1.7/8
MC-20-20	-2000-1-20	20MSC20N	1 - 1/4	1 - 1/4	1.09	1.62	1.53	2.17	3.04	1.3/4	1.7/8
MC-24-24	-2400-1-24	24MSC24N	1 - 1/2	1 - 1/2	1.34	1.97	1.78	2.43	3.5	2.1/8	2.1/4
MC-32-32	-3200-1-32	32MSC32N	2	2	1.81	2.66	2.47	3	4.47	2.3/4	3