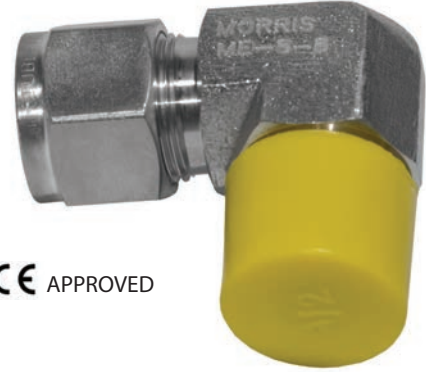
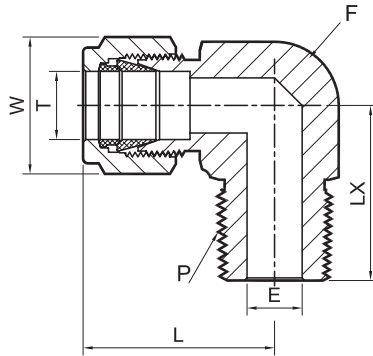


MALE ELBOW, 90°

# ME TYPE

SIZE: 1/16" – 1"

\* END: Fractional tube x NPT(M)



CE APPROVED

Part Number	Equivalent P/N 1	Equivalent P/N 2	LX	Tube OD ØT (INCHES)	NPT FEMALE PIPE SIZE P	ØE	Body Hex F	C	D	Nut Hex W	L1
ME-1-1	- 100-2-1	1MSEL1N	0.70	1/16	1/16	0.05	7/16	0.43	0.34	7/16	0.75
ME-1-2	- 100-2-2	1MSEL2N	0.70	1/16	1/8	0.05	7/16	0.43	0.34	7/16	0.75
ME-2-1	-200-2-1	2MSEL1N	0.70	1/8	1/16	0.09	7/16	0.60	0.50	7/16	0.93
ME-2-2	-200-2-2	2MSEL2N	0.70	1/8	1/8	0.09	7/16	0.60	0.50	7/16	0.93
ME-2-4	-200-2-4	2MSEL4N	0.92	1/8	1/4	0.09	9/16	0.60	0.50	7/16	0.97
ME-3-2	- 300-2-2	3MSEL2N	0.74	3/16	1/8	0.12	9/16	0.63	0.54	7/16	1.00
ME-3-4	- 300-2-4	3MSEL4N	0.92	3/16	1/4	0.12	9/16	0.63	0.54	7/16	1.00
ME-4-1	- 400-2-1	4MSEL1N	0.74	1/4	1/16	0.12	9/16	0.70	0.60	9/16	1.06
ME-4-2	- 400-2-2	4MSEL2N	0.74	1/4	1/8	0.19	9/16	0.70	0.60	9/16	1.06
ME-4-4	- 400-2-4	4MSEL4N	0.92	1/4	1/4	0.19	9/16	0.70	0.60	9/16	1.06
ME-4-6	- 400-2-6	4MSEL6N	1.03	1/4	3/8	0.19	13/16	0.70	0.60	9/16	1.17
ME-4-8	- 400-2-8	4MSEL8N	1.30	1/4	1/2	0.19	13/16	0.70	0.60	9/16	1.25
ME-5-2	-500-2-2	5MSEL2N	0.78	5/16	1/8	0.19	9/16	0.73	0.64	5/8	1.13
ME-5-4	-500-2-4	5MSEL4N	0.96	5/16	1/4	0.25	9/16	0.73	0.64	5/8	1.13
ME-5-6	-500-2-6	5MSEL6N	1.03	5/16	3/8	0.25	13/16	0.73	0.64	5/8	1.20
ME-6-2	-600-2-2	6MSEL2N	0.82	3/8	1/8	0.19	13/16	0.76	0.66	11/16	1.20
ME-6-4	-600-2-4	6MSEL4N	1.00	3/8	1/4	0.28	13/16	0.76	0.66	11/16	1.20
ME-6-6	-600-2-6	6MSEL6N	1.03	3/8	3/8	0.28	13/16	0.76	0.66	11/16	1.23
ME-6-8	-600-2-8	6MSEL8N	1.30	3/8	1/2	0.28	7/8	0.76	0.66	11/16	1.31
ME-6-12	-600-2-12	6MSEL12N	1.45	3/8	3/4	0.28	1-1/16	0.76	0.66	11/16	1.46
ME-8-4	-810-2-4	8MSEL4N	1.11	1/2	1/4	0.28	7/8	0.86	0.90	7/8	1.42
ME-8-6	-810-2-6	8MSEL6N	1.11	1/2	3/8	0.38	7/8	0.86	0.90	7/8	1.42
ME-8-8	-810-2-8	8MSEL8N	1.30	1/2	1/2	0.41	7/8	0.86	0.90	7/8	1.42
ME-8-12	-810-2-12	8MSEL12N	1.45	1/2	3/4	0.41	1-1/16	0.86	0.90	7/8	1.57
ME-10-6	-1010-2-6	10MSEL6N	1.19	5/8	3/8	0.38	1-1/16	0.86	0.96	1	1.50
ME-10-8	-1010-2-8	10MSEL8N	1.19	5/8	1/2	0.47	1-1/16	0.86	0.96	1	1.50
ME-10-12	-1010-2-12	10MSEL12N	1.45	5/8	3/4	0.50	1-1/16	0.86	0.96	1	1.57
ME-12-8	-1210-2-8	12MSEL8N	1.45	3/4	1/2	0.47	1-1/16	0.86	0.96	1-1/8	1.57
ME-12-12	-1210-2-12	12MSEL12N	1.45	3/4	3/4	0.62	1-1/16	0.86	0.96	1-1/8	1.57
ME-14-12	-1410-2-12	14MSEL12N	1.64	7/8	3/4	0.62	1-1/4	0.86	1.02	1-1/4	1.76
ME-16-12	-1610-2-12	16MSEL12N	1.64	1	3/4	0.62	1-3/8	1.04	1.23	1-1/2	1.93
ME-16-16	-1610-2-16	16MSEL16N	1.83	1	1	0.62	1-3/8	1.04	1.23	1-1/2	1.93

**NOTES:**

- \* The "E" dimension is the minimum opening.
- \* Dimension "L1 & D" is shown in the finger-tight position.
- \* NPT thread as per ANSI B1.20.1.

- \* Dimensions are for reference only and are subject to change.
- \* **All part numbers are proprietary of their respective owners**