

MGV-2B TYPE

END CONNECTIONS:
NPT, BSPP, BSPT, SOCKET WELD

FEATURES:

* The MALE OUTLET connects direct into the Gauge Pressure Transmitter, providing ONE LESS THREADED CONNECTION.

***Bonnet**

- Screw bonnet design
- Back seated blow out proof
- Dust cap protects stem threads for external contamination
- Bonnet pusher - silver plated for anti galling freezing for increased stem cycle life.
- Packing: PTFE, GRAFOIL
- Leak tight seal with low operating torque

***Spindle:**

- Non-rotating tip & soft seated
- Packing below thread
- Ground and threaded rolled
- Orifice: Ø 0.19" (4.7mm)

***Ratings (Metal seated)**

- Stainless Steel: 6000 PSIG @ 100°F (414 bar @ 38°C)
- 450°F (232,2°C) limit for Teflon-packed valves
- 1000°F (537,8°C) limit for Grafoil-packed valves

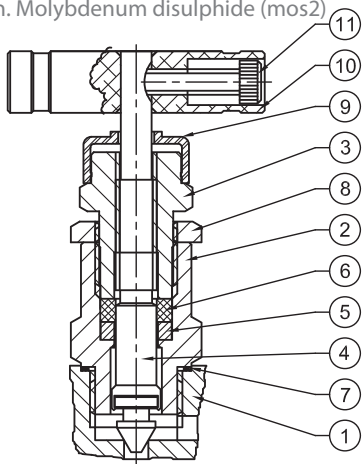
*Materials: 316 SST, 304SST, CS, Astelloy, Monel

*Material Traceability

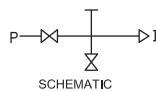
-Test

- *Hydrostatic shell @ 1.5 of working pressure.
- *Each valve is tested with N2 @ 1000 Psi for seat & Packing leakage, prior to ship.

*Lubrication. Molybdenum disulphide (mos2)



SECTIONAL DETAILS OF BONNET



SIZE: 1/4" - 1/2"
BAR STOCK BODY

CE APPROVED

HOW TO ORDER

MGV-2B SIZE BODY MATL PACKING MATL

ITEM	PARTS	QTY	MATERIAL
1	VALVE BODY	1	ASTM A 182 F316
2	BONNET	2	AISI 316 (AISI 316)
3	BONNET PUSHER	2	AISI 316 (AISI 316)
4	STEM (TIP)	2	AISI 316 (AISI 316)
5	WASHER	2	AISI 316 (AISI 316)
6	PACKING	2	PTFE or GRAFOIL
7	BONNET SEAL	2	AISI 316 (AISI 316)
8	CHECK NUT	2	AISI 316 (AISI 316)
9	DUST CAP	2	LDPE
10	HANDLE	2	304 SST
11	ALLEN BOLT	2	304 SST
12	LOCKING ARRAGEMENT	2	304 SST
13	VENT PLUG	1	AISI 316 (AISI 316)

The MGV-2B gauge valve, with male inlet & MALE OUTLET, was developed to meet the application requirement for a block and bleed valve without the need for a close nipple when connecting to a female port of Gauges pressure transmitter & Pressure switches. This configuration provides ONE LESS THREADED CONNECTION Suitable also for block & bleed assemblies to test pressure sources required in sampling lines or plug valves.

