

# MGV2-LE TYPE



SIZE: 1/4" – 3/4"  
BAR STOCK BODY

CE APPROVED

**END CONNECTIONS:**

NPT, BSPP, BSPT, SOCKET WELD

**FEATURES:**

- \* One body construction for superior corrosion resistance
- \* Bonnet
- Back seated blow out proof
- Dust cap protects stem threads from external contamination
- Bonnet pusher - silver plated for anti galling freezing for increased stem cycle life.
- Packing: PTFE, GRAFOIL
- Leak tight seal with low operating torque
- \* Spindle:
- Non-rotating tip
- Ground and threaded rolled
- Integral Hard & soft seat
- Orifice: Ø 0.19"
- \* Ratings (Metal seated)
- Stainless Steel: 6000 PSIG @ 100°F (414 bar @ 38°C)
- 450°F (232,2°C) limit for Teflon-packed valves
- 1000°F (537,8°C) limit for Grafoil-packed valves
- \* Materials: 316 SST, 304SST, CS, Astelloy, Monel
- \* Material Traceability
- Test
- \* Hydrostatic shell @ 1.5 of working pressure.
- \* Each valve is tested with N2 @ 1000 Psi for seat & Packing leakage, prior to ship.
- \* Lubrication. Molybdenum disulphide (mos2)

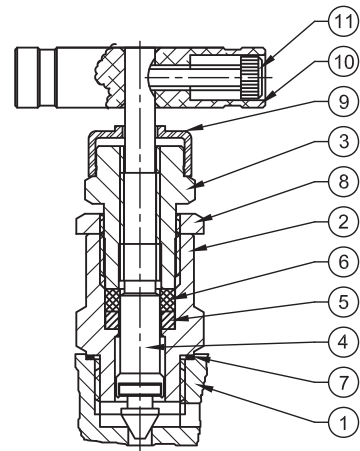
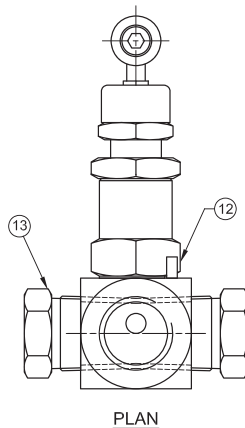
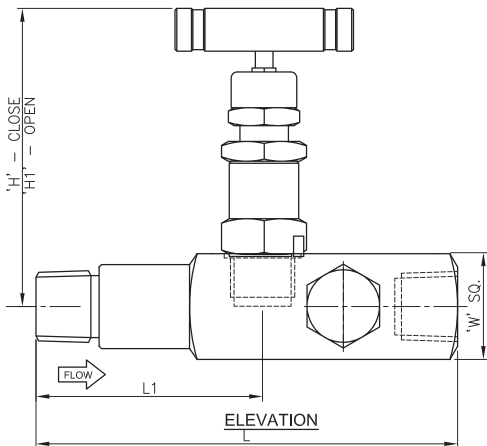
**HOW TO ORDER**

MGV2-LE  -  -

SIZE & END CONNECTIONS TYPE    BODY MATL    PACKING MATL

ITEM	PARTS	QTY	MATERIAL
1	VALVE BODY	1	ASTM A 182 F316
2	BONNET	1	AISI 316
3	BONNET PUSHER	1	AISI 316
4	STEM (TIP)	1	AISI 316 ( 17-4PH)
5	WASHER	1	AISI 316
6	PACKING	1	PTFE
7	BONNET SEAL	1	AISI 316
8	CHECK NUT	1	AISI 316
9	DUST CAP	1	LDPE
10	HANDLE	1	304 SST
11	ALLEN BOLT	1	304 SST
12	LOCK PIN	1	304 SST
13	BLEED PLUG	1	AISI 316
14	BLEED VALVE	1	AISI 316

SIZE	W	H	H1	ORIFICE	L	Cv Factor
1/2" (M x F)	32 (1.26")	77 (3.03")	84 (3.31")	4.7 (0.18")	102(4.01")	0.45
1/2" (F x F)						
3/4" Mx1/2" F	38 (1.50")	80 (3.15")	87 (3.42")			
3/4" (M x F)						



SECTIONAL DETAILS OF VALVE