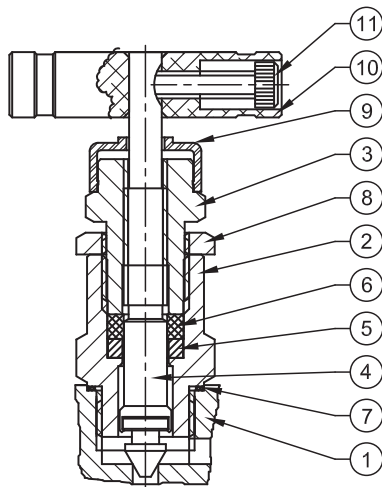


# MGV2 TYPE

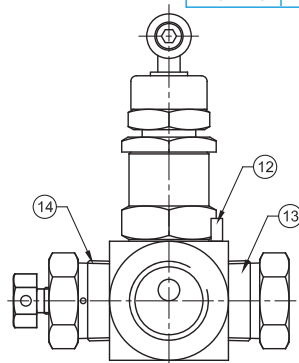
**END CONNECTIONS:**  
NPT, BSPP, BSPT, SOCKET WELD

**FEATURES:**

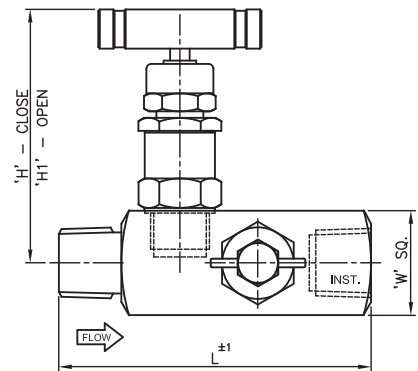
- \* One body construction for superior corrosion resistance
- \* Bonnet
  - Back seated blow out proof
  - Dust cap protects stem threads from external contamination
  - Bonnet pusher - silver plated for anti galling freezing for increased stem cycle life.
  - Packing: PTFE, GRAFOIL
  - Leak tight seal with low operating torque
- \* Spindle:
  - Non-rotating tip
  - Ground and threaded rolled
  - Integral Hard & soft seatad
  - Orifice:  $\varnothing 0.19"$
- \* Ratings (Metal seated)
  - Stainless Steel: 6000 PSIG @ 100°F (414 bar @ 38°C)
  - 450°F (232,2°C) limit for Teflon-packed valves
  - 1000°F (537,8°C) limit for Grafoil-packed valves
- \* Materials: 316 SST, 304SST, CS, Astelloy, Monel
- \* Material Traceability
- Test
  - \* Hydrostatic shell @ 1.5 of working pressure.
  - \* Each valve is tested with N2 @ 1000 Psi for seat & Packing leakage, prior to ship.
  - \* Lubrication. Molybdenum disulphide (mos2)



SECTIONAL DETAILS OF VALVE



PLAN



ELEVATION



SIZE: 1/4" - 3/4"  
BAR STOCK BODY

CE APPROVED

**HOW TO ORDER**

SIZE & END CONNECTIONS TYPE    BODY MATL    PACKING MATL  
 MGV2  -  -

ITEM	PARTS	QTY	MATERIAL
1	VALVE BODY	1	ASTM A 182 F316
2	BONNET	1	AISI 316
3	BONNET PUSHER	1	AISI 316
4	STEM (TIP)	1	AISI 316 (17-4PH)
5	WASHER	1	AISI 316
6	PACKING	1	PTFE
7	BONNET SEAL	1	AISI 316
8	CHECK NUT	1	AISI 316
9	DUST CAP	1	LDPE
10	HANDLE	1	304 SST
11	ALLEN BOLT	1	304 SST
12	LOCK PIN	1	304 SST
13	BLEED PLUG	1	AISI 316
14	BLEED VALVE	1	AISI 316

SIZE	W	H	H1	ORIFICE	L	Cv Factor
1/2" (M x F)	32 (1.26")	77 (3.03")	84 (3.31")	4.7 (0.18")	102(4.01")	0.45
1/2" (F x F)						
3/4" Mx1/2" F	38 (1.50")	80 (3.15")	87 (3.42")			
3/4" (M x F)						