

2 VALVE MANIFOLD

MMV TYPE

END CONNECTIONS:
NPTF, BSPT, BSPP, Flanged

SIZE: 1/4" - 1/2"

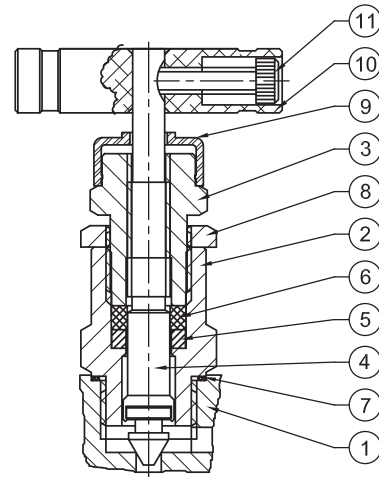
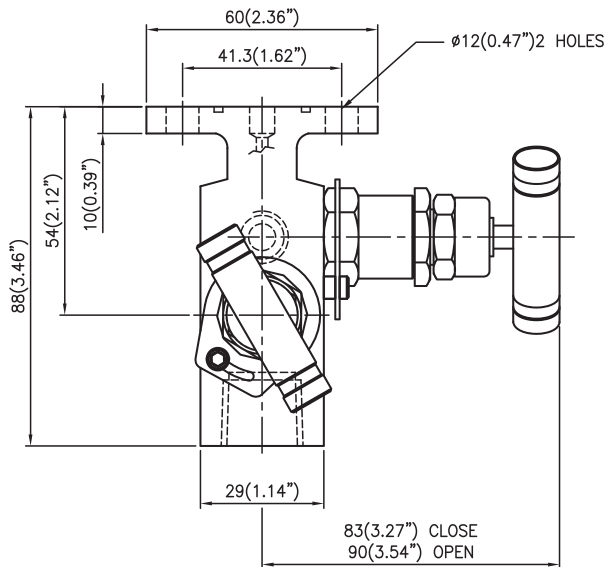
Pipe to Flange Connections

CE APPROVED

ITEM	PARTS	QTY	MATERIAL
1	VALVE BODY	1	ASTM A182 F316
2	BONNET	2	AISI 316 (17-4PH)
3	BONNET PUSHER	2	AISI 316
4	STEM (TIP)	2	AISI 316
5	WASHER	2	AISI 316
6	PACKING	2	PTFE
7	BONNET SEAL	2	S.S
8	CHECK NUT	2	AISI 316
9	DUST CAP	2	LDPE
10	HANDLE	2	304 SST
11	ALLEN BOLT	2	S.S
12	LOCKING ARRANGMENT	2	S.S
13	FLANGE GASKET	1	PTFE

HOW TO ORDER

No. VLV SIZE & END CONNECTIONS MATL PACKING MATL
 MMV - - -



SECTIONAL DETAILS
OF VALVE

