

# 2 VALVE MANIFOLD

## MMV TYPE

END CONNECTIONS:  
NPTF, BSPT, BSPP, Flanged

SIZE: 1/4" - 1/2"

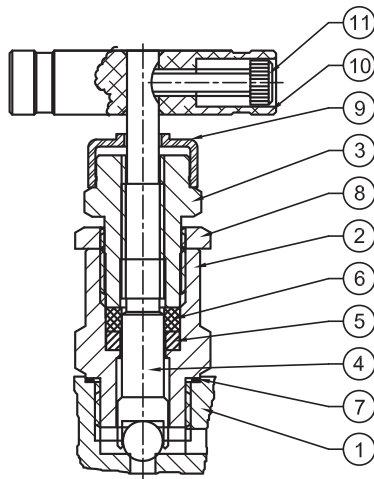
ITEM	PARTS	QTY	MATERIAL
1	VALVE BODY	1	ASTM A182 F316
2	BONNET	2	AISI 316 (17-4PH)
3	BONNET PUSHER	2	AISI 316
4	STEM (TIP)	2	AISI 316
5	WASHER	2	AISI 316
6	PACKING	2	PTFE
7	BONNET SEAL	2	S.S
8	CHECK NUT	2	AISI 316
9	DUST CAP	2	LDPE
10	HANDLE	2	304 SST
11	ALLEN BOLT	2	S.S
12	LOCKING ARRANGMENT	2	S.S
13	VENT PLUG (1/4" NPT)	1	AISI 316

### HOW TO ORDER

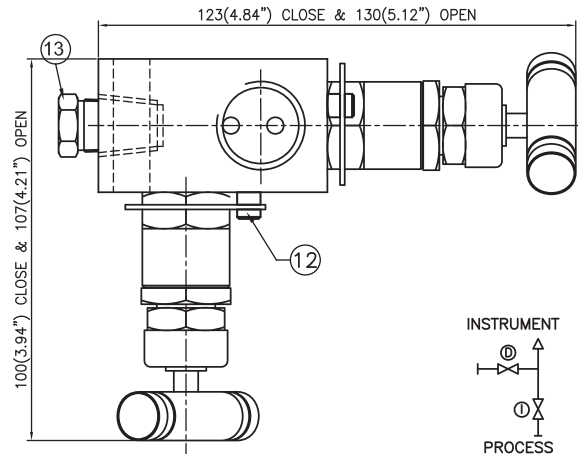
No. VLV      SIZE & END CONNECTIONS      MATL      PACKING MATL  
MMV  -  -  -

**Straight**  
Pipe to Pipe Connections

**CE APPROVED**



SECTIONAL DETAILS  
OF VALVE



INSTRUMENT  
PROCESS  
SCHEMATIC

