

5 VALVE MANIFOLD

MMV TYPE

END CONNECTIONS:
NPTF, BSPT, BSPP, Flanged

SIZE: 1/4" - 1/2"

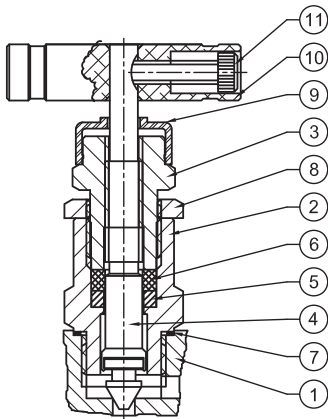
Pipe to Flange Connections

CE APPROVED

ITEM	PARTS	QTY	MATERIAL
1	VALVE BODY	1	ASTM A182 F316
2	BONNET	5	AISI 316 (17-4PH)
3	BONNET PUSHER	5	AISI 316
4	STEM (TIP)	5	AISI 316
5	WASHER	5	AISI 316
6	PACKING	5	PTFE
7	BONNET SEAL	5	S.S
8	CHECK NUT	5	AISI 316
9	HANDLE	5	LDPE
10	DUST CAP	5	304 SST
11	ALLEN BOLT	5	S.S
12	LOCKING ARRAGEMNT	5	S.S

HOW TO ORDER

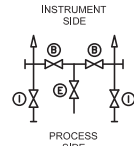
No. VLV SIZE & END CONNECTIONS MATL PACKING MATL
 MMV - - -



SECTIONAL DETAILS
OF VALVE

D - DRAIN
 I - INSTRUMENT
 P - PROCESS
 IS - ISOLATE VALVE
 EQ - EQUALISER VALVE
 BL - BLEED VALVE

Ø7(0.27") 2 HOLES
FOR MOUNTING



SCHEMATIC

