

# MN6KT TYPE



SIZE: 1/4" - 1"  
**CE** APPROVED

### HOW TO ORDER

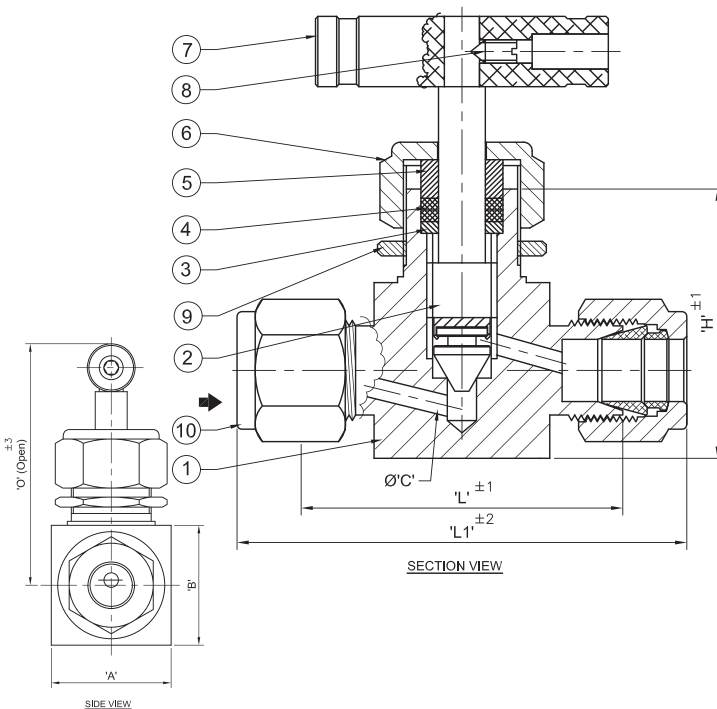
SIZE & END CONNECTIONS TYPE    BODY MATL    PACKING MATL  
 MN6KT  -  -

ITEM	PARTS	QTY	MATERIAL
1	BODY	1	ASTM A276 TP 316
2	STEM (TIP)	1	AISI 316 (17-4PH)
3	PANEL NUT	1	AISI 316
4	WASHER	1	AISI 316
5	PACKING	1	PTFE
6	GLAND	1	AISI 316
7	GLAND NUT	1	AISI 316
8	DUST CAP	1	LDPE
9	HANDLE	1	SS 304
10	ALLEN BOLT	1	SST

**END CONNECTIONS:**  
 NPT, BSPP, BSPT, SOCKET WELD,  
 BUTT WELD, TUBE FITTING

### FEATURES:

- \* One body construction for superior corrosion resistance
- \* Patern: Straight, Angle & Cross
- \* Panel mounting
- \* Bonnet
- Back seated blow out proof
- Dust cap protects stem threads from external contamination
- Packing: PTFE, GRAFOIL
- Leak tight seal with low operating torque
- \* Spindle:
  - Non-rotating tip, Ground and threaded rolled
  - Integral Hard & soft seatead
  - Orifice:  $\varnothing$  0.19"
- \* Ratings (Metal seated)
  - Stainless Steel: 6000 PSIG @ 100°F (414 bar @ 38°C)
  - 450°F (232,2°C) limit for Teflon-packed valves
  - 1000°F (537,8°C) limit for Grafoil-packed valves
- \* Materials: 316 SST, 304SST, CS, Astelloy, Monel
- \* Material Traceability
- Test
  - \* Hydrostatic shell @ 1.5 of working pressure.
  - \* Each valve is tested with N2 @ 1000 Psi for seat & Packing leakage, prior to ship.
  - \* Lubrication. Molybdenum disulphide (mos2)



SIZE T x T	A	B	ØC	L	L1	H
1/8"	18(0.71)	22(0.87)	2.5(0.1)	42(1.65)	49(1.95)	41(1.61)
1/4"	18(0.71)	22(0.87)	4(0.16)	46(1.81)	56(2.20)	41(1.61)
3/8"	18(0.71)	22(0.87)	4(0.16)	49(1.93)	59(2.32)	41(1.61)
1/2"	22(0.87)	22(0.87)	6(0.24)	49(1.93)	70(2.75)	42(1.65)
3/4"	28(1.10)	28(1.10)	8(0.31)	49(1.93)	72(2.83)	48(1.89)
1"	35(1.38)	35(1.38)	10(0.39)	53(2.09)	87(3.42)	55(2.16)