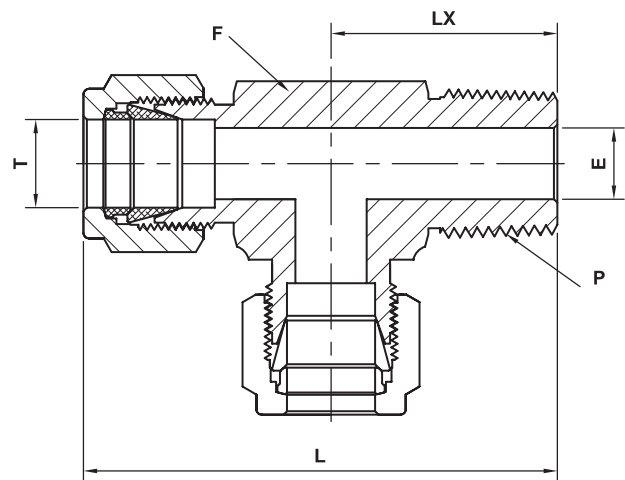


MRT TYPE

SIZE: 1/8" - 1"
* END: Fractional tube x NPTF



CE APPROVED



Part Number	Equivalent P/N 1	Equivalent P/N 2	Tube OD ØT (INCHES)	NPT FEMALE PIPE SIZE P	Body Hex F	C	ØE	D	LX	LY	Nut Hex W	L1
MRT-2-2	-20-3-2TMT	2MRT2N	1/8	1/8	9/16	0.60	0.09	0.50	0.93	0.70	7/16	1.63
MRT-2-4	-200-3-4TMT	2MRT4N	1/8	1/4	9/16	0.60	0.09	0.50	0.97	0.92	7/16	1.89
MRT-3-2	-300-3-2TMT	3MRT2N	3/16	1/8	9/16	0.63	0.12	0.54	0.96	0.70	7/16	1.66
MRT-4-2	-400-3-2TMT	4MRT2N	1/4	1/8	9/16	0.70	0.19	0.60	1.06	0.74	9/16	1.80
MRT-4-4	-400-3-4TMT	4MRT4N	1/4	1/4	9/16	0.70	0.19	0.60	1.06	0.92	9/16	1.98
MRT-5-2	-500-3-2TMT	5MRT2N	5/16	1/8	5/8	0.73	0.19	0.64	1.17	0.82	5/8	1.99
MRT-5-4	-500-3-4TMT	5MRT4N	5/16	1/4	5/8	0.73	0.25	0.64	1.17	1.01	5/8	2.18
MRT-6-4	-600-3-2TMT	6MRT4N	3/8	1/4	5/8	0.76	0.28	0.66	1.2	1.00	11/16	2.20
MRT-6-6	-600-3-6TMT	6MRT6N	3/8	3/8	13/16	0.76	0.28	0.66	1.31	1.11	11/16	2.42
MRT-8-6	-810-3-6TMT	8MRT6N	1/2	3/8	13/16	0.86	0.38	0.90	1.42	1.11	7/8	2.53
MRT-8-8	-810-3-8TMT	8MRT8N	1/2	1/2	7/8	0.86	0.41	0.90	1.42	1.30	7/8	2.72
MRT-10-8	-1010-3-8TMT	10MRT8N	5/8	1/2	15/16	0.86	0.47	0.96	1.5	1.38	1	2.88
MRT-12-12	-1210-3-12TMT	12MRT12N	3/4	3/4	1-1/16	0.86	0.62	0.96	1.57	1.45	1-1/8	3.02
MRT-14-12	-14103-12TMT	14MRT12N	7/8	3/4	1-3/8	0.86	0.62	1.02	1.76	1.50	1-1/4	3.26
MRT-16-12	-1610-3-12TMT	16MRT12N	1	3/4	1-3/8	1.04	0.62	1.23	1.94	1.66	1-1/2	3.60
MRT-16-16	-1610-3-16TMT	16MRT16N	1	1	1-3/8	1.04	0.88	1.23	1.94	1.84	1-1/2	3.78

NOTES:

- * The "E" dimension is the minimum opening.
- * Dimension "L1 & D" is shown in the finger-tight position.

- * Dimensions are for reference only and are subject to change.
- * **All part numbers are proprietary of their respective owners**