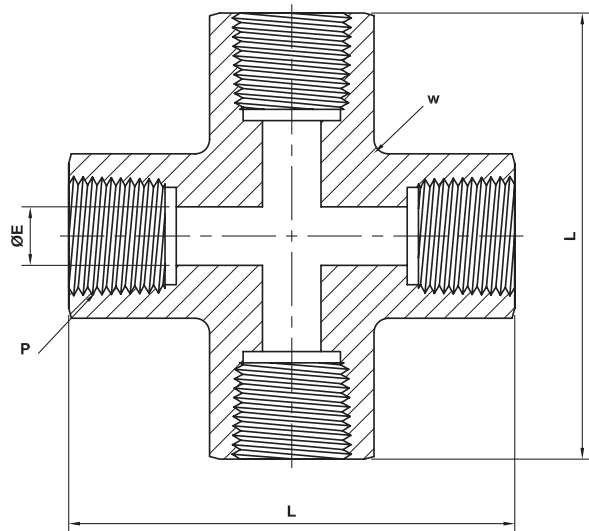


PFC TYPE

SIZE: 1/16" - 1"
* END: NPT(F) x 4 SIDES



CE APPROVED



Part Number	Equivalent P/N 1	Equivalent P/N 1	NPT FEMALE PIPE SIZE P	Body Hex F	ØE	L
PFC - 1		1FX	1/16	19/32	0.24	1.70
PFC - 2	-2-CS	2FX	1/8	19/32	0.34	1.70
PFC - 4	-4-CS	4FX	1/4	13/16	0.45	1.96
PFC - 6	-6-CS	6PX	3/8	7/8	0.57	2.44
PFC - 8	-8-CS	8FX	1/2	1-1/16	0.71	2.36
PFC - 12	-12-CS	12FX	3/4	1-1/4	0.91	2.68
PFC - 16	-16-CS	19FX	1	1-13/16	1.15	3.62

NOTES:

- * The "E" dimension is the minimum opening.
- * Dimension "L1 & D" is shown in the finger-tight position.

- * Dimensions are for reference only and are subject to change.
- * **All part numbers are proprietary of their respective owners**