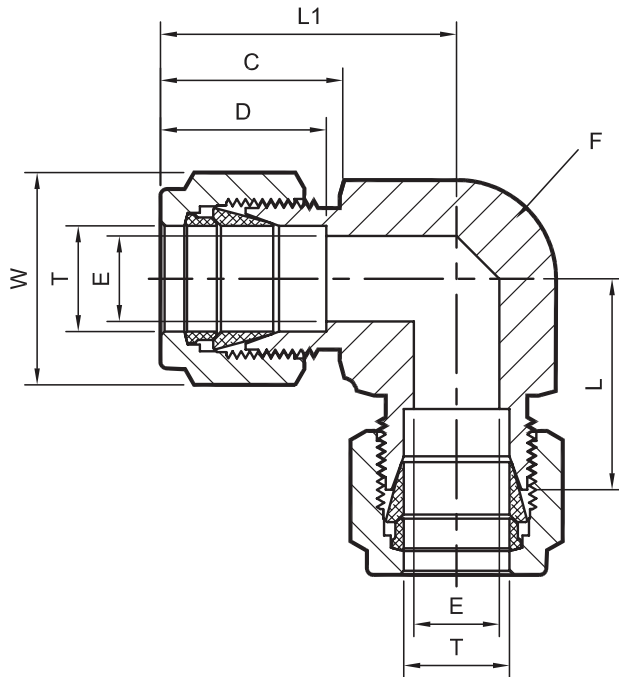


UNION, ELBOW FRACTIONAL

UEF TYPE

SIZE: 1/16" – 1"

* END: Fractional tube (OD)



CE APPROVED

Part Number	Equivalent P/N 1	Equivalent P/N 2	Tube OD ØT (INCHES)	Body Hex F	C	ØE	D	Nut Hex W	L	L1
UEF - 1	-100-9	1EE1	1/16	1/2	0.43	0.05	0.34	5/16	0.55	0.70
UEF - 2	-200-9	2EE2	1/8	1/2	0.60	0.09	0.50	7/16	0.62	0.88
UEF - 3	-300-9	3EE3	3/16	1/2	0.63	0.12	0.54	1/2	0.74	1.00
UEF - 4	-400-9	4EE4	1/4	9/16	0.70	0.19	0.60	9/16	0.77	1.06
UEF - 5	-500-9	5EE5	5/16	9/16	0.73	0.25	0.64	5/8	0.84	1.13
UEF - 6	-600-9	6EE6	3/8	11/16	0.76	0.28	0.66	11/16	0.91	1.20
UEF - 8	-810-9	8EE8	1/2	13/16	0.86	0.41	0.90	7/8	1.02	1.42
UEF - 10	-1010-9	10EE10	5/8	7/8	0.86	0.50	0.96	1	1.10	1.50
UEF - 12	-1210-9	12EE12	3/4	1-1/16	0.86	0.62	0.96	1-1/8	1.17	1.57
UEF - 14	-1410-9	14EE14	7/8	1-3/8	0.86	0.72	1.02	1-1/4	1.36	1.76
UEF - 16	-1610-9	16EE16	1	1-3/8	1.04	0.88	1.23	1-1/2	1.45	1.93

NOTES:

* The "E" dimension is the minimum opening.

* Dimension "L1 & D" is shown in the finger-tight position.

* Dimensions are for reference only and are subject to change.

* All part numbers are proprietary of their respective owners