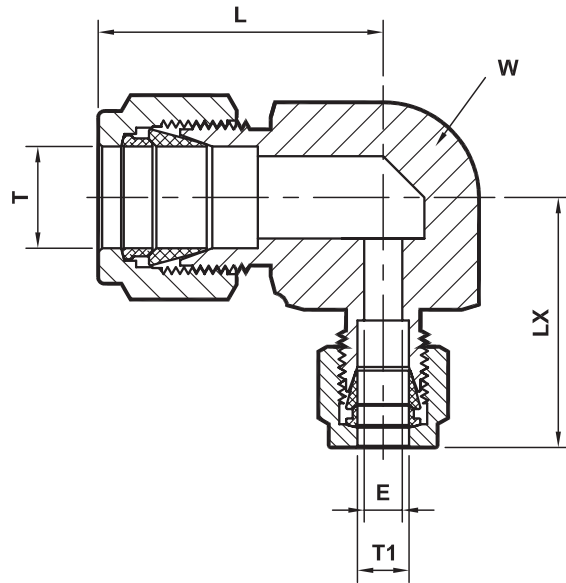


UERF TYPE

SIZE: 1/16" – 1"
* END: Fractional tube (OD)



CE APPROVED



Part Number	Equivalent P/N 1	Tube OD ØT (INCHES)	Tube OD ØT1 (INCHES)	ØE	D	C	L	LX	Body Hex F	Nut Hex W	Nut Hex W1
UERF - 3 - 2	3-2ELZ	3/16	1/8	0.09	0.54	0.63	0.96	0.92	1/2	1/2	7/16
UERF - 4 - 2	4-2ELZ	1/4	1/8	0.09	0.6	0.7	1.06	0.96	9/16	9/16	7/16
UERF - 5 - 2	5-2ELZ	5/16	1/8	0.09	0.64	0.73	1.17	1.04	9/16	5/8	7/16
UERF - 5 - 4	5-4ELZ	5/16	1/4	0.19	0.64	0.73	1.17	1.14	9/16	5/8	9/16
UERF - 6 - 2	6-2ELZ	3/8	1/8	0.09	0.66	0.76	1.20	1.04	11/16	11/16	7/16
UERF - 6 - 4	6-4ELZ	3/8	1/4	0.19	0.66	0.76	1.20	1.09	11/16	11/16	9/16
UERF - 8 - 4	8-4ELZ	1/2	1/4	0.19	0.9	0.86	1.42	1.25	13/16	7/8	9/16
UERF - 8 - 5	8-5ELZ	1/2	5/16	0.25	0.9	0.86	1.42	1.28	13/16	7/8	5/8
UERF - 8 - 6	8-6ELZ	1/2	3/8	0.28	0.9	0.86	1.42	1.31	13/16	7/8	11/16
UERF - 10 - 6	10-6ELZ	5/8	3/8	0.28	0.96	0.86	1.43	1.32	7/8	1	11/16
UERF - 10 - 8	10-8ELZ	5/8	1/2	0.41	0.96	0.86	1.43	1.43	7/8	1	7/8
UERF - 12 - 4	12-4ELZ	3/4	1/4	0.19	0.96	0.86	1.56	1.38	1-1/16	1.1/8	9/16
UERF - 12 - 6	12-6ELZ	3/4	3/8	0.28	0.96	0.86	1.56	1.45	1-1/16	1.1/8	11/16
UERF - 12 - 8	12-8ELZ	3/4	1/2	0.41	0.96	0.86	1.56	1.56	1-1/16	1.1/8	7/8
UERF - 14 - 4	14-4ELZ	7/8	1/4	0.19	1.02	0.86	1.76	1.51	1-1/4	1.1/4	9/16
UERF - 16 - 8	16-8ELZ	1	1/2	0.41	1.23	1.04	1.94	1.62	1.3/8	1.1/2	7/8
UERF - 16 - 12	16-12ELZ	1	3/4	0.62	1.23	1.04	1.94	1.76	1-3/8	1.1/2	1.1/8

NOTES:

- * The "E" dimension is the minimum opening.
- * Dimension "L1& D" is shown in the finger-tight position.

- * Dimensions are for reference only and are subject to change.
- * **All part numbers are proprietary of their respective owners**