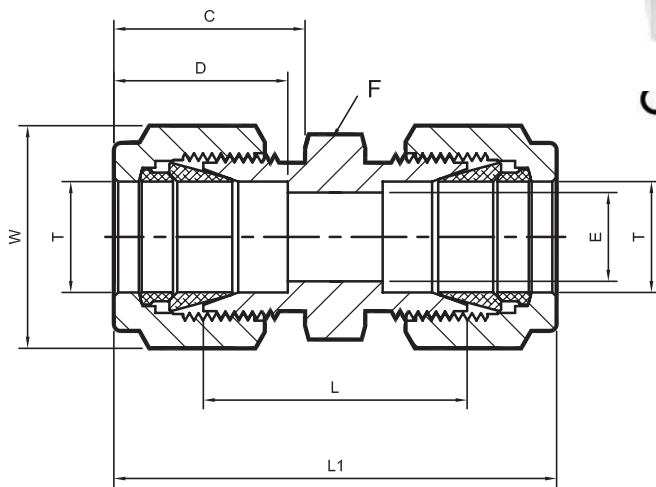
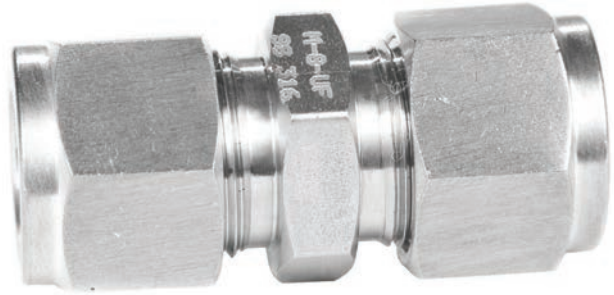


# UF TYPE

SIZE: 1/16" – 1"  
 \* END: Fractional tube (OD)



CE APPROVED

Part Number	Equivalent P/N 1	Equivalent P/N 2	Tube OD ØT (INCHES)	Body Hex F	C	ØE	D	Nut Hex W	L	L1
UF - 1	-100-6	1SC1	1/16	7/16	0.43	0.05	0.34	7/16	0.69	0.99
UF - 2	-200-6	2SC2	1/8	7/16	0.60	0.09	0.50	7/16	0.88	1.40
UF - 3	-300-6	3SC3	3/16	7/16	0.63	0.12	0.54	7/16	0.95	1.47
UF - 4	-400-6	4SC4	1/4	7/16	0.70	0.19	0.60	9/16	1.03	1.61
UF - 5	-500-6	5SC5	5/16	5/8	0.73	0.25	0.64	5/8	1.11	1.69
UF - 6	-600-6	6SC6	3/8	11/16	0.76	0.28	0.66	11/16	1.19	1.77
UF - 8	-810-6	8SC8	1/2	7/8	0.86	0.41	0.90	7/8	1.22	2.02
UF - 10	-1010-6	10SC10	5/8	1	0.86	0.50	0.96	1	1.25	2.05
UF - 12	-1210-6	12SC12	3/4	1-1/8	0.86	0.62	0.96	1-1/8	1.31	2.11
UF - 14	-1410-6	14SC14	7/8	1-1/4	0.86	0.72	1.02	1-1/4	1.37	2.17
UF - 16	-1610-6	16SC16	1	1-1/2	1.04	0.88	1.23	1-1/2	1.59	2.55

**NOTES:**

- \* The "E" dimension is the minimum opening.
- \* Dimension "L1 & D" is shown in the finger-tight position.

- \* Dimensions are for reference only and are subject to change.
- \* **All part numbers are proprietary of their respective owners**

