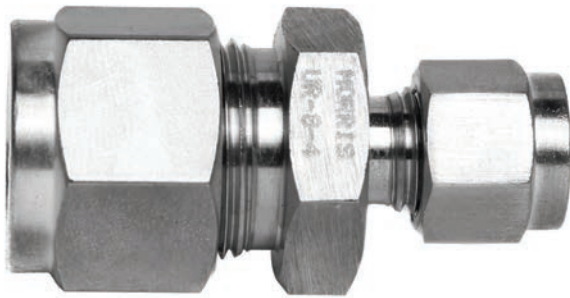
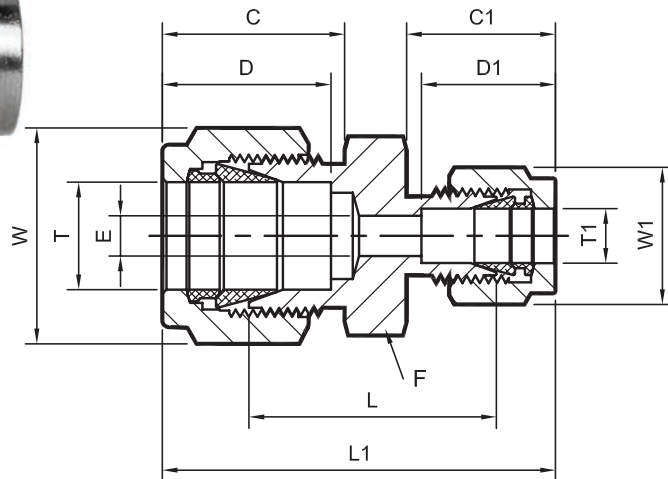


# URF TYPE

SIZE: 1/16" – 1"  
\* END: Fractional tube (OD)



CE APPROVED



Part Number	Equivalent P/N	Equivalent P/N 2	Tube OD ØT (INCHES)	Body Hex F	ØE	D	C	D1	C1	L	L1	BODY HEX F	Nut Hex W	Nut Hex W1
URF - 1-2	-200-6-1	2RU1	1/8	1/16	0.05	0.50	0.60	0.34	0.34	0.43	0.81	5/16	1.22	7/16
URF - 3-1	-300-6-1	3RU1	3/16	1/16	0.05	0.54	0.63	0.34	0.34	0.43	0.86	5/16	1.27	7/16
URF - 3-2	-300-6-2	3RU2	3/16	1/8	0.09	0.54	0.63	0.50	0.50	0.6	0.92	7/16	1.44	7/16
URF - 4-1	-400-6-1	4RU1	1/4	1/16	0.05	0.60	0.70	0.34	0.34	0.43	0.91	5/16	1.35	7/16
URF - 4-2	-400-6-2	4RU2	1/4	1/8	0.09	0.60	0.70	0.50	0.50	0.6	0.97	7/16	1.52	7/16
URF - 4-3	-400-6-3	4RU3	1/4	3/16	0.12	0.60	0.70	0.54	0.54	0.63	1	1/2	1.55	7/16
URF - 5-2	-500-6-2	5RU2	5/16	1/8	0.09	0.64	0.73	0.50	0.50	0.6	1.01	7/16	1.56	9/16
URF - 5-4	-500-6-4	5RU4	5/16	1/4	0.19	0.64	0.73	0.60	0.60	0.7	1.08	9/16	1.66	9/16
URF - 6-1	-600-6-1	6RU1	3/8	1/16	0.05	0.66	0.76	0.34	0.34	0.43	1	5/16	1.44	5/8
URF - 6-2	-600-6-2	6RU2	3/8	1/8	0.09	0.66	0.76	0.50	0.50	0.6	1.06	7/16	1.61	5/8
URF - 6-4	-600-6-4	6RU4	3/8	1/4	0.19	0.66	0.76	0.60	0.60	0.7	1.12	9/16	1.70	5/8
URF - 6-5	-600-6-5	6RU5	3/8	5/16	0.25	0.66	0.76	0.64	0.64	0.73	1.16	5/8	1.74	5/8
URF - 8-2	-810-6-2	8RU2	1/2	1/8	0.09	0.90	0.86	0.50	0.50	0.6	1.12	7/16	1.78	7/8
URF - 8-4	-810-6-4	8RU4	1/2	1/4	0.19	0.90	0.86	0.60	0.60	0.7	1.16	9/16	1.85	7/8
URF - 8-6	-810-6-6	8RU6	1/2	3/8	0.28	0.90	0.86	0.66	0.66	0.76	1.22	11/16	1.91	7/8
URF - 10-6	-1010-6-6	10RU6	5/8	3/8	0.28	0.96	0.86	0.66	0.66	0.76	1.25	11/16	1.94	1
URF - 10-8	-1010-6-8	10RU8	5/8	1/2	0.41	0.96	0.86	0.90	0.90	0.86	1.25	7/8	2.05	1
URF - 12-4	-1210-6-4	12RU4	3/4	1/4	0.19	0.96	0.86	0.60	0.60	0.7	1.25	9/16	1.94	1-1/8
URF - 12-6	-1210-6-6	12RU6	3/4	3/8	0.28	0.96	0.86	0.66	0.66	0.76	1.31	11/16	2.00	1-1/8
URF - 12-8	-1210-6-8	12RU8	3/4	1/2	0.41	0.96	0.86	0.90	0.90	0.86	1.31	7/8	2.11	1-1/8
URF - 12-10	-1210-6-10	12RU10	3/4	5/8	0.50	0.96	0.86	0.96	0.96	0.86	1.31	1	2.11	1-1/8
URF - 16-8	-1610-6-8	16RU8	1	1/2	0.41	1.23	1.04	0.90	0.86	1.5	7/8	2.38	1-1/2	1-1/2
URF - 16-12	-1210-6-12	16RU12	1	3/4	0.62	1.23	1.04	0.96	0.86	1.5	1-1/8	2.38	1-1/2	1-1/2

## NOTES:

- \* The "E" dimension is the minimum opening.
- \* Dimension "L1 & D" is shown in the finger-tight position.

- \* Dimensions are for reference only and are subject to change.
- \* **All part numbers are proprietary of their respective owners**