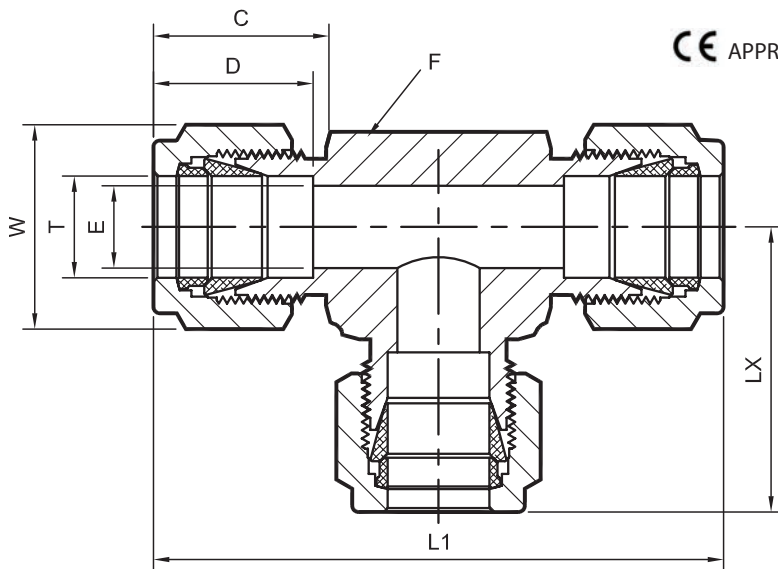


UNION, TEE FRACTIONAL

UTF TYPE

SIZE: 1/16" – 1"

* END: Fractional tube (OD)



CE APPROVED

Part Number	Equivalent P/N 1	Equivalent P/N 2	LX	Tube OD ØT1 (INCHES)	ØE	Body Hex F	C	D	Nut Hex W	L1
UTF - 1	-100-3	1ET1	0.70	1/16	0.05	0.54	0.43	0.34	5/16	1.40
UTF - 2	-200-3	2ET2	0.88	1/8	0.09	0.6	0.60	0.50	7/16	1.76
UTF - 3	-300-3	3ET3	0.96	3/16	0.12	0.64	0.63	0.54	0.5	1.92
UTF - 4	-400-3	4ET4	1.06	1/4	0.19	0.64	0.70	0.60	9/16	2.12
UTF - 5	-500-3	5ET5	1.17	5/16	0.25	0.66	0.73	0.64	5/8	2.34
UTF - 6	-600-3	6ET6	1.20	3/8	0.28	0.66	0.76	0.66	0.6875	2.40
UTF - 8	-810-3	8ET8	1.42	1/2	0.41	0.9	0.86	0.90	7/8	2.84
UTF - 10	-1010-3	10ET10	1.53	5/8	0.50	0.9	0.86	0.96	1	3.06
UTF - 12	-1210-3	12ET12	1.57	3/4	0.62	0.9	0.86	0.96	1-1/8	3.14
UTF - 14	-1410-3	14ET14	1.76	7/8	0.72	0.96	0.86	1.02	1-1/4	3.52
UTF - 16	-1610-3	16ET16	1.93	1	0.88	0.96	1.04	1.23	1-1/2	3.86

NOTES:

* The "E" dimension is the minimum opening.

* Dimension "L1 & D" is shown in the finger-tight position.

* Dimensions are for reference only and are subject to change.

* **All part numbers are proprietary of their respective owners**