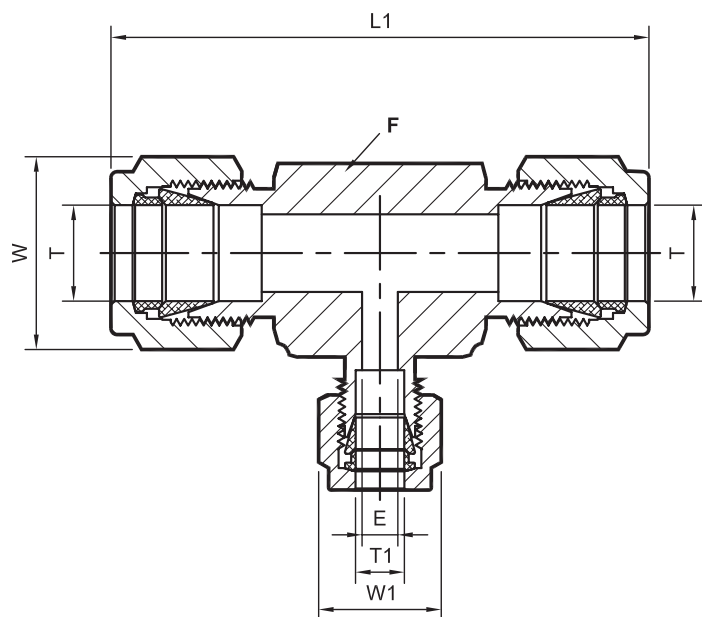


UNION TEE, REDUCER FRACTIONAL
(Two similar to a different branch)

UTRBF TYPE

SIZE: 1/16" – 1"

* END: Fractional tube (OD)



CE APPROVED

Part Number	Equivalent P/N 1	Equivalent P/N 2	Tube OD ØT (INCHES)	Tube OD ØT1 (INCHES)	ØE	D	C	L1	LX	Body Hex F	Nut Hex W	Nut Hex W1
UTRBF-4-2-4	-400-3-4-2	4-4-2 JLZ	1/4	1/8	0.09	0.60	0.70	2.10	0.70	9/16	9/16	7/16
UTRBF-6-6-4	-600-3-6-4	6-6-4 JLZ	3/8	1/4	0.19	0.66	0.76	2.40	0.85	13/16	11/16	9/16
UTRBF-8-8-4	-810-3-8-4	8-8-4 JLZ	1/2	1/4	0.19	0.90	0.86	2.84	0.96	13/16	7/8	9/16
UTRBF-8-8-6	-810-3-8-6	8-8-6 JLZ	1/2	3/8	0.28	0.90	0.86	2.84	1.02	13/16	7/8	11/16
UTRBF-10-10-6	-1010-3-10-6	10-10-6 JLZ	5/8	3/8	0.28	0.96	0.86	3.06	1.13	1	1	11/16
UTRBF-10-10-8	-1010-3-10-8	10-10-8 JLZ	5/8	1/2	0.41	0.96	0.86	2.86	1.03	1	1	7/8
UTRBF-12-12-4	-1210-3-12-4	12-12-4 JLZ	3/4	1/4	0.19	0.96	0.86	3.12	1.09	1-1/16	1-1/8	9/16
UTRBF-12-12-6	-1210-3-12-6	12-12-6 JLZ	3/4	3/8	0.28	0.96	0.86	3.14	1.17	1-1/16	1-1/8	11/16
UTRBF-12-12-8	-1210-3-12-8	12-12-8 JLZ	3/4	1/2	0.41	0.96	0.86	3.14	1.17	1-1/16	1-1/8	7/8
UTRBF-12-12-10	-1210-3-12-10	12-12-10 JLZ	3/4	5/8	0.50	0.96	0.86	3.12	1.16	1-1/16	1-1/8	1
UTRBF-14-14-4	-1410-3-14-4	14-14-4 JLZ	7/8	1/4	0.19	1.02	0.86	3.52	1.30	1-3/8	1-1/4	9/16
UTRBF-14-14-6	-1410-3-14-6	14-14-6 JLZ	7/8	3/8	0.28	1.02	0.86	3.52	1.36	1-3/8	1-1/2	11/16
UTRBF-16-16-4	-1610-3-16-4	16-16-4 JLZ	1	1	0.88	1.23	1.04	3.88	1.30	1-3/8	1-1/2	1-1/2
UTRBF-16-16-6	-1610-3-16-6	16-16-6 JLZ	1	3/8	0.28	1.23	1.04	3.86	1.36	1-3/8	1-1/2	1-1/16
UTRBF-16-16-8	-1610-3-16-8	16-16-8 JLZ	1	1/2	0.41	1.23	1.04	3.86	1.36	1-3/8	1-1/2	7/8
UTRBF-16-16-10	-1610-3-16-4	16-16-10 JLZ	1	1/4	0.19	1.23	1.04	3.88	1.36	1-3/8	1-1/2	9/16
UTRBF-16-16-12	-1610-3-16-12	16-16-12 JLZ	1	3/4	0.62	1.23	1.04	3.86	1.36	1-3/8	1-1/2	1-1/8
UTRBF-16-16-14	-1610-3-16-14	16-16-14JLZ	1	7/8	0.72	1.23	1.04	3.7	1.76	1-3/8	1-1/2	1-1/4

NOTES:

* The "E" dimension is the minimum opening.

* Dimension "L1 & D" is shown in the finger-tight position.

* Dimensions are for reference only and are subject to change.

* All part numbers are proprietary of their respective owners