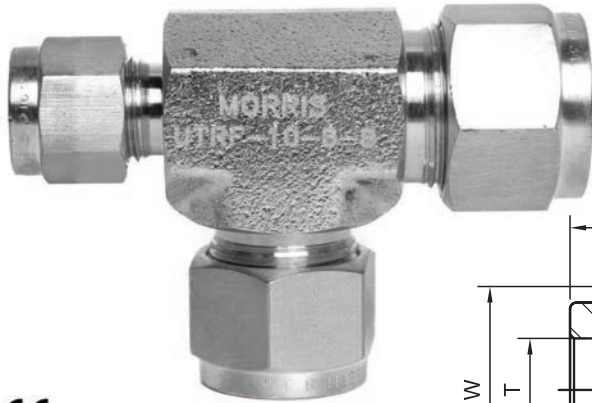


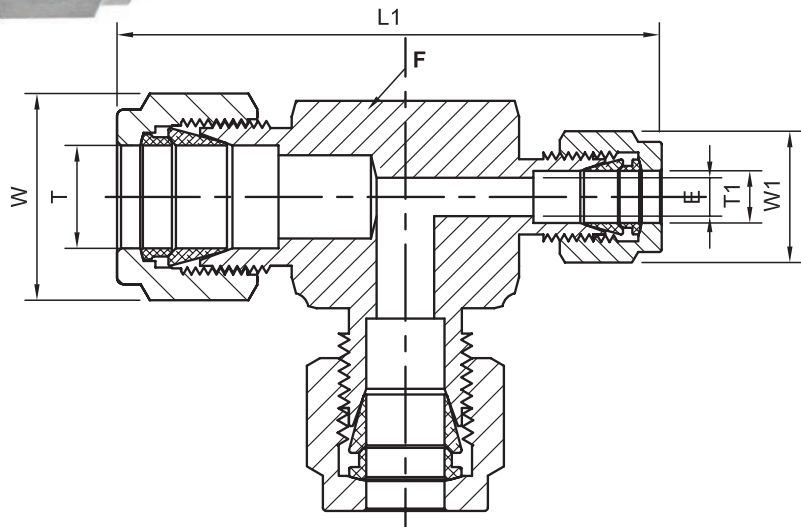
UNION TEE, REDUCER FRACTIONAL
(All three different)

UTRF TYPE

* END: Fractional tube (OD)



CE APPROVED



Part Number	Equivalent P/N 1	Equivalent P/N 2	Tube OD ØT (INCHES)	Tube OD ØT (INCHES)	Tube OD ØT (INCHES)	ØE	D	C	LY	L1	LX	Body Hex F	Nut Hex W	Nut Hex W2	Nut Hex W1
UTRF - 10-6-8	-200-6-1	2RU1	5/8	3/8	1/2	0.28	0.96	3.06	1.53	3.06	1.13	1	1	11/16	7/8
UTRF - 10-8-6	-300-6-1	3RU1	5/8	1/2	3/8	0.28	0.96	2.75	1.32	2.75	1.03	1	1	7/8	11/16
UTRF - 12-6-8	-300-6-2	3RU2	3/4	3/8	1/2	0.28	0.96	3.14	1.57	3.14	1.17	1-1/16	1-1/8	11/16	7/8
UTRF - 12-6-10	-400-6-1	4RU1	3/4	3/8	5/8	0.28	0.96	3.12	1.56	3.12	1.16	1-1/16	1-1/8	11/16	1
UTRF - 12-8-10	-400-6-2	4RU2	3/4	1/2	5/8	0.41	0.96	3.12	1.56	3.12	1.16	1-1/16	1-1/8	7/8	1
UTRF - 14-12-8	-400-6-3	4RU3	7/8	3/4	1/2	0.41	1.02	3.52	1.76	3.52	1.36	1-3/8	1-1/4	1-1/8	7/8
UTRF - 14-6-10	-500-6-2	5RU2	7/8	3/8	5/8	0.28	1.02	3.52	1.76	3.52	1.36	1-3/8	1-1/4	11/16	1
UTRF - 14-6-12	-500-6-4	5RU4	7/8	3/8	3/4	0.28	1.02	3.52	1.76	3.52	1.36	1-3/8	1-1/4	11/16	1-1/8
UTRF - 14-8-12	-600-6-1	6RU1	7/8	1/2	3/4	0.41	1.02	3.52	1.76	3.52	1.36	1-3/8	1-1/4	7/8	1-1/8
UTRF - 16-4-8	-600-6-2	6RU2	1	1/4	1/2	0.19	1.23	3.70	1.76	3.70	1.36	1-3/8	1-1/2	9/16	7/8
UTRF - 16-6-8	-600-6-4	6RU4	1	3/8	1/2	0.28	1.23	3.70	1.76	3.70	1.36	1-3/8	1-1/2	11/16	7/8
UTRF - 16-6-10	-600-6-5	6RU5	1	3/8	5/8	0.28	1.23	3.70	1.76	3.70	1.36	1-3/8	1-1/2	11/16	1
UTRF - 16-6-12	-810-6-2	8RU2	1	3/8	3/4	0.28	1.23	3.69	1.76	3.69	1.36	1-3/8	1-1/2	11/16	1-1/8
UTRF - 16-8-12	-810-6-4	8RU4	1	1/2	3/4	0.41	1.23	3.70	1.76	3.70	1.36	1-3/8	1-1/2	7/8	1-1/8
UTRF - 16-10-12	-810-6-6	8RU6	1	5/8	3/4	0.50	1.23	3.70	1.76	3.70	1.36	1-3/8	1-1/2	1	1-1/8
UTRF - 16-4-14	-1010-6-6	10RU6	1	1/4	7/8	0.19	1.23	3.70	1.76	3.70	1.36	1-3/8	1-1/2	9/16	1-1/4
UTRF - 16-6-14	-1010-6-8	10RU8	1	3/8	7/8	0.28	1.23	3.70	1.76	3.70	1.36	1-3/8	1-1/2	11/16	1-1/4
UTRF - 16-8-14	-1210-6-4	12RU4	1	1/2	7/8	0.41	1.23	3.70	1.76	3.70	1.36	1-3/8	1-1/2	7/8	1-1/4
UTRF - 16-12-14	-1210-6-6	12RU6	1	3/4	7/8	0.62	1.23	3.70	1.76	3.70	1.36	1-3/8	1-1/2	1-1/8	1-1/4

NOTES:

- * The "E" dimension is the minimum opening.
- * Dimension "L1 & D" is shown in the finger-tight position.

- * Dimensions are for reference only and are subject to change.
- * **All part numbers are proprietary of their respective owners**