

2-PIECE BALL VALVE
 INVESTMENT CASTING BODY & CAP
 ASTM A 351 - CF8M / ASTM A 351 - CF8
 ASTM A 216 - WCB



SIZE: 1/4" - 2"
 SCREWED END

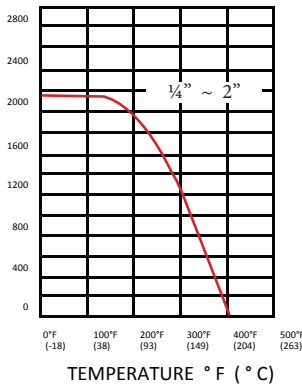
CE APPROVED

22K TYPE

HOW TO ORDER

22K BODY MATERIAL SIZE END CONNECTIONS

PRESSURE - TEMPERATURE
 22K RATING 1/4" - 2"



FEATURES:

PIPE THREAD IN ACCORDANCE WITH:

- * ANSI B2.1 (BASIC STD FOR STEEL PIPE THREADS)
- * ANSI B1.20 (NPTF)
- * BS21:1973
- * DIN259/2999
- * ISO228

- BLOW-OUT PROOF STEM

- FULL PORT

- 2000 PSI W.O.G

- LUG BODY

- LOCKING DEVICE

- MATERIAL TRACEABILITY

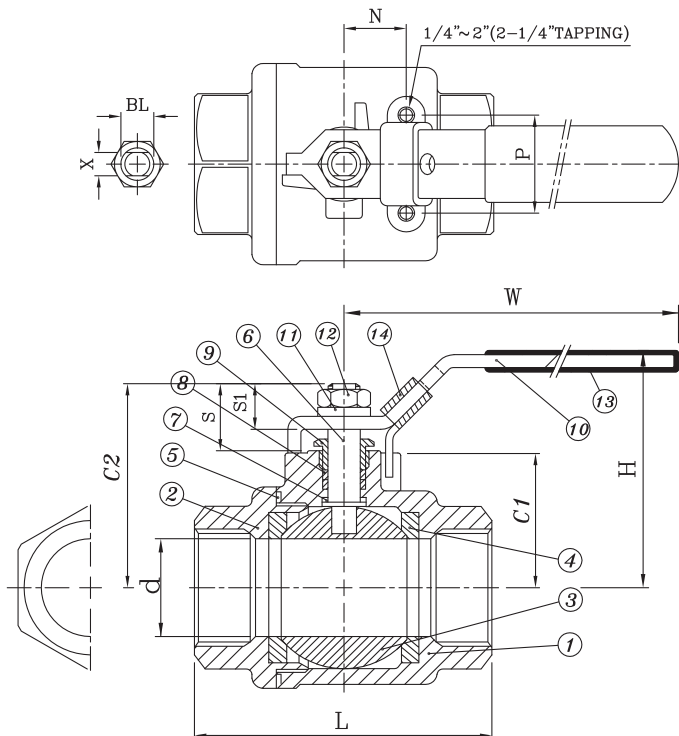
- MATERIAL:

* ASTM-A351-CF8,ASTM-A351-CF8M,A216-WCB

- OPTION:

* DRILLING & TAPPED MOUNTING PAD

NOMINAL SIZE	d	L	H	W	S	S1	X	N	P	BL	Cv Factor	Torque Kgf-cm
1/4"	11.6	60.5	53	95	16.5	10.2	5	12.5	28.5	5/16"	6.6	46
3/8"	12.7	60.5	53	95	16.5	10.2	5	12.5	28.5	5/16"	7.9	46
1/2"	15	62	53	95	16.5	10.2	5	12.5	28.5	5/16"	11.2	54
3/4"	20	77	60	110	20	13.5	6.5	21	34.8	3/8"	21	78
1"	25.4	90	74	135	23.5	16	8	22.5	34.8	7/16"	35	106
1-1/4"	32	100	80	135	23.5	16	8	23.5	38.1	7/16"	57	150
1-1/2"	38	118	92	165	25.5	17	9	23.5	38.1	1/2"	80	200
2"	50	138	101	165	25.5	17	9	34	38.1	1/2"	150	280



PARTS

MATERIAL

PARTS	MATERIAL	
	22K	22K-C
1 BODY	ASTM-A351-CF8M	ASTM-A216-WCB
2 CAP	ASTM-A351-CF8M	ASTM-A216-WCB
3 BALL	ASTM-A351-CF8M	
4 BALL SEAT	15% - R-PTFE	
5 JOINT GASKET	PTFE	
6 STEM	ASTM-A351-CF8M	
7 THRUST WASHER	PTFE	
8 STEM PACKING	PTFE	
9 GLAND NUT	ASTM-A351-CF8	
10 HANDLE	ASTM-A351-CF8	
11 SPRING WASHER	ASTM-A351-CF8	
12 STEM NUT	ASTM-A351-CF8	
13 HANDLE SLEEVE	PLASTIC (VINIL GRIP)	
14 LOCK DEVICE	ASTM-A351-CF8	