

5 VALVE MANIFOLD

MMV TYPE

END CONNECTIONS:
NPTF, BSPT, BSPP, Flanged

SIZE: 1/4" - 1/2"

CLOPLANAR for direct mounting
Flange to Pipe Connections

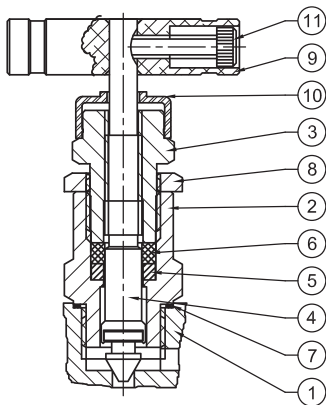
CE APPROVED

ITEM	PARTS	QTY	MATERIAL
1	VALVE BODY	1	ASTM A182 F316
2	BONNET	3	AISI 316 (17-4PH)
3	BONNET PUSHER	3	AISI 316
4	STEM (TIP)	3	AISI 316
5	WASHER	3	AISI 316
6	PACKING	3	PTFE
7	BONNET SEAL	3	S.S
8	CHECK NUT	3	AISI 316
9	HANDLE	3	LDPE
10	DUST CAP	3	304 SST
11	ALLEN BOLT	3	S.S
12	LOCKING ARRAGEMNT	3	S.S

HOW TO ORDER

No. VLV SIZE & END CONNECTIONS MATL PACKING MATL

MMV - - -



SECTIONAL DETAILS
OF VALVE

