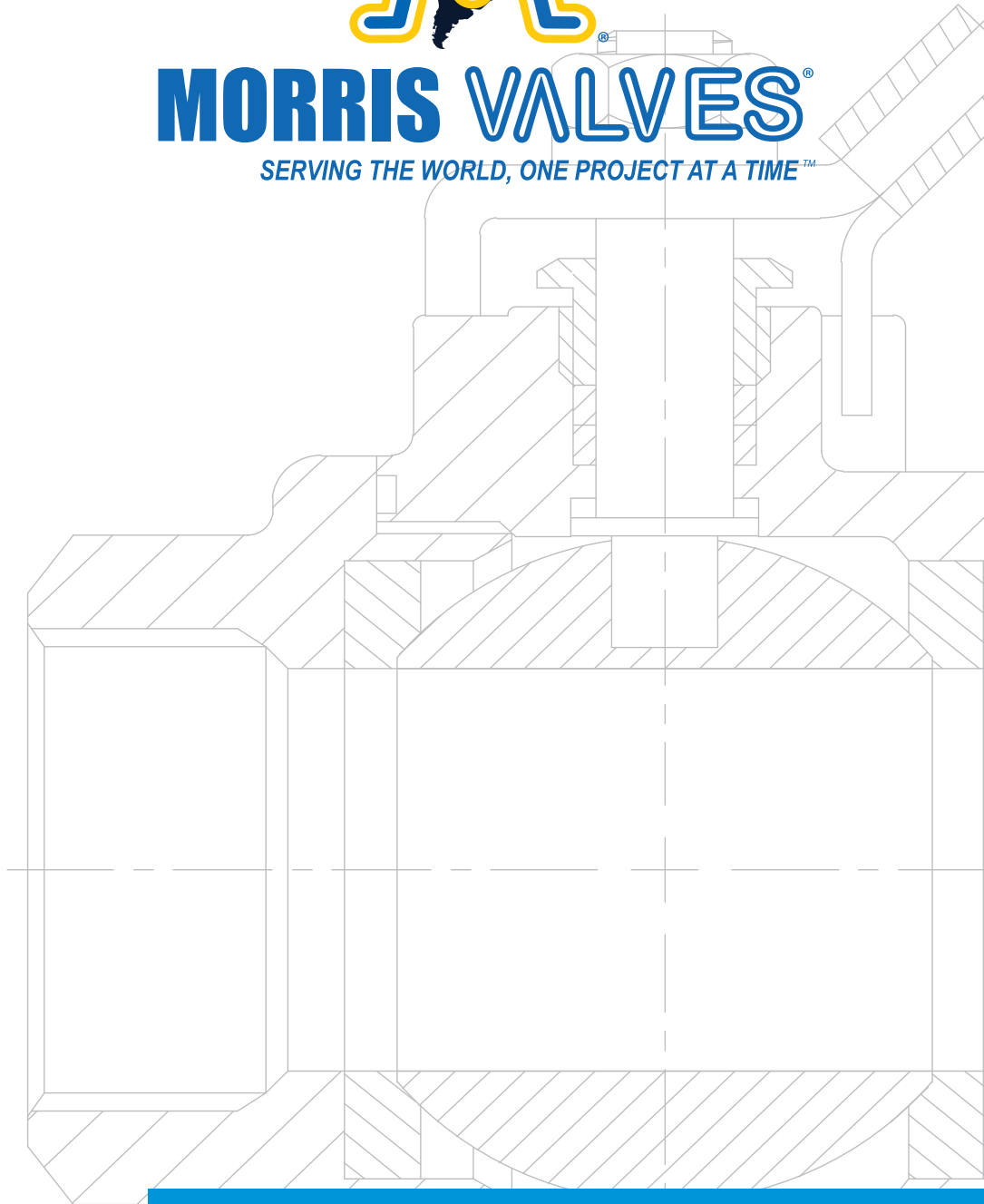




**MORRIS VALVES®**

SERVING THE WORLD, ONE PROJECT AT A TIME™



# Pneumatic Cylinders

[www.morrisvalve.com](http://www.morrisvalve.com)



In 1984, our journey into the business of repairing valves and industrial instrumentation began. That journey has led us to represent and service well known American brands and companies. In early 2000, our experience and growing passion for the valve industry encouraged our decision to launch our own brand, Morris Valves. Starting with the highly requested Ball Valves, the brand has been based on the principal of quality and performance to match our customers' needs. Our high standards of production later lead us to incorporate other models such as Gate Valve and Check Valves to our production. These additions were carefully selected to match our Standard of Quality. Our success has been driven by our belief of "Tradition with Quality" in everything we do. Our products are developed with that belief which drives our growth and guides the service we provide to our customers.

Our vision is to be amongst the leading corporations in the supply of goods and services related to valves, their components and industrial equipment in general. We want to conquer new markets in conformity with international standards and remain committed to customer satisfaction, the welfare of our company and the sustainability of our planet.

## Mission

Our mission is to use our highly trained, highly focused, and extremely motivated staff to work with manufacturers who value quality and have the vision for new development and product applications to ensure the timely provision of goods and services related to valves, their components and industrial equipment in general. We maintain a rigorous standard of customer satisfaction, which will provide for the welfare of the company, the welfare of the countries we serve, and most importantly the sustainability of the planet.

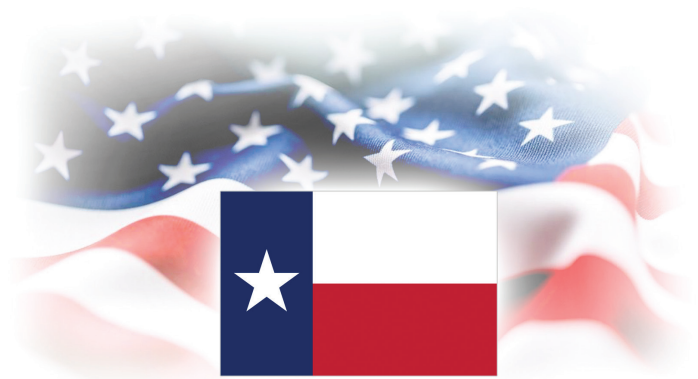
## Contacts

**Address:** 6803 Theall Rd Building B, Houston, Tx 77066

**Telephone:** +1 (832) 666-5576

**Cel:** +1 (832) 983-0744

**Email:** sales@morrisvalve.com



## Vision

*"Serving the world, one project at a time"*

# United States of America

United States Patent and Trademark Office

## MORRIS VALVES

**Reg. No. 4,241,184**

**Registered Nov. 13, 2012**

**Int. Cl.: 7**

**TRADEMARK**

**PRINCIPAL REGISTER**

MORRIS VALVES, INC. (FLORIDA CORPORATION)  
5590 NW 84TH AVENUE  
MIAMI, FL 33166

FOR: VALVES BEING PARTS OF MACHINES, NAMELY, BALL VALVES, NEEDLE VALVES,  
AND MANIFOLD VALVES, IN CLASS 7 (U.S. CLS. 13, 19, 21, 23, 31, 34 AND 35).

FIRST USE 0-0-2010; IN COMMERCE 0-0-2010.

THE MARK CONSISTS OF STANDARD CHARACTERS WITHOUT CLAIM TO ANY PAR-  
TICULAR FONT, STYLE, SIZE, OR COLOR.

NO CLAIM IS MADE TO THE EXCLUSIVE RIGHT TO USE "VALVES", APART FROM THE  
MARK AS SHOWN.

SER. NO. 85-560,535, FILED 3-5-2012.

SUSAN BILLHEIMER, EXAMINING ATTORNEY



*David J. Kybas*

Director of the United States Patent and Trademark Office

# MCYL-PF1/TR1 TYPE

Profile & Tie Rods, Double Action

## Features

- ISO 15552 Standard
- Full interchangeability to any ISO cylinder anywhere around the globe.
- Smooth profile or tie-rods design
- Bore sizes 32 - 320 mm
- Stroke length:
- Corrosion resistant design with end plates and barrel in sandblast and anodized aluminum
- End Covers: Aluminum Hard Anodized w/Spraying Plastic
- Magnetic piston standard
- Polyurethane seal technology inside
- Cushioning stainless steel screws on same side
- New adjustable pneumatic and mechanical Cushioning system reduces the noise caused by the impact of the piston on the end covers (standard)
- Full range of mountings available
- Full range of 'drop-in' sensors available
- Standard temperature: -20°C to +80°C
- High temperature: -10°C to +150°C
- Low temperature: -40°C to + 80°C
- Position sensing: Proximity sensor



## HOW TO ORDER

**MCYL-PF1/TR1-AL-AL-BN/VTN-BORE-STRK-S-ISO15552**

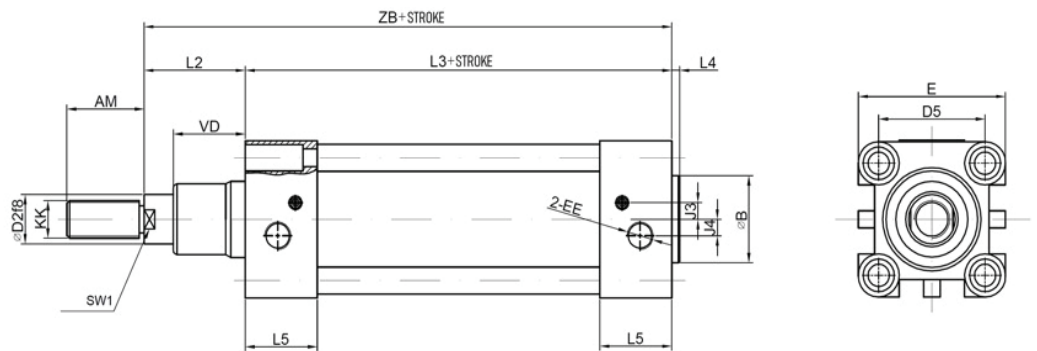
**PF1**=Profile, ISO15552

**TR1**=Tie Rods, ISO15552

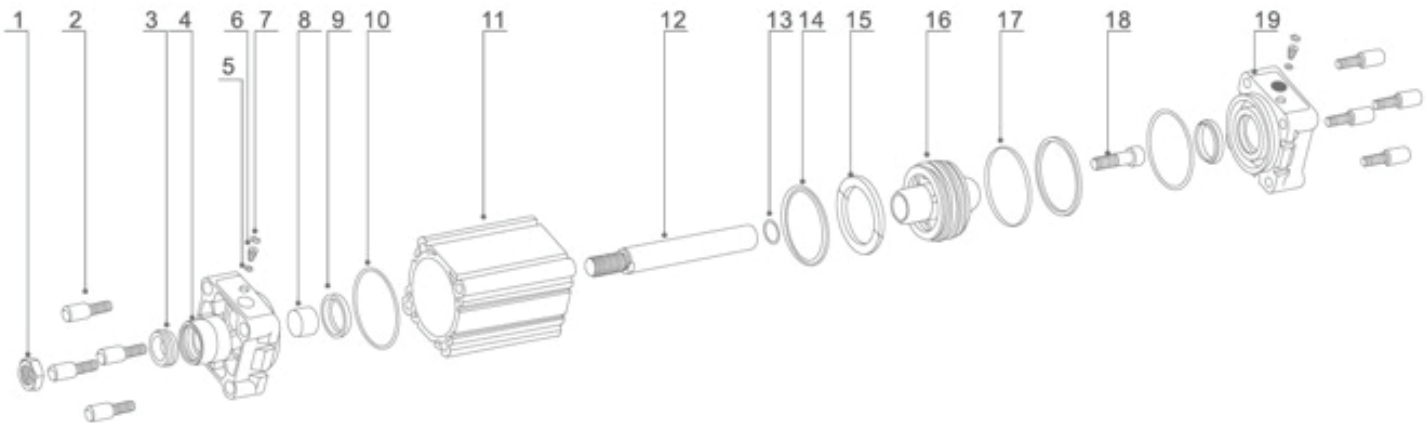
**S**= Switch, Magnetic

## Profile Type, Dimensions

Bore	AM	B	D2	D5	D7	E	EE(G)	J3	J4	KK	L2	L3	L4	L5	L6	L7	L8	SW1	SW2	VD	WH	ZB
32	22	30	12	32.5	M6	45	1/8	6	5.2	M10x1.25	40	80	4	26	22	3.3	8	10	6	16	26	120
40	24	35	16	38	M6	54	1/4	8	6	M12x1.25	46	89	4	29.6	22	3.6	10	13	6	20	30	135
50	32	40	20	46.5	M8	64	1/4	10	8.5	M16x1.5	54	90	4	30	22	5.1	10	17	8	27	37	144
63	32	45	20	56.5	M8	75	3/8	12.4	10	M16x1.5	57	101	4	35.5	22	6.6	10	17	8	27	37	158
80	40	45	25	72	M10	93	3/8	12.5	8	M20x1.5	65	109	4	36	25	10.5	10	22	10	34.5	46	174
100	40	55	25	89	M10	110	1/2	11.8	10	M20x1.5	71	118	4	39	25	8	12.5	22	10	38	51	189
125	54	60	32	110	M12	134	1/2	13	8	M27x2	95	128	6	44.7	30	14	12.5	28	12	46	65	225

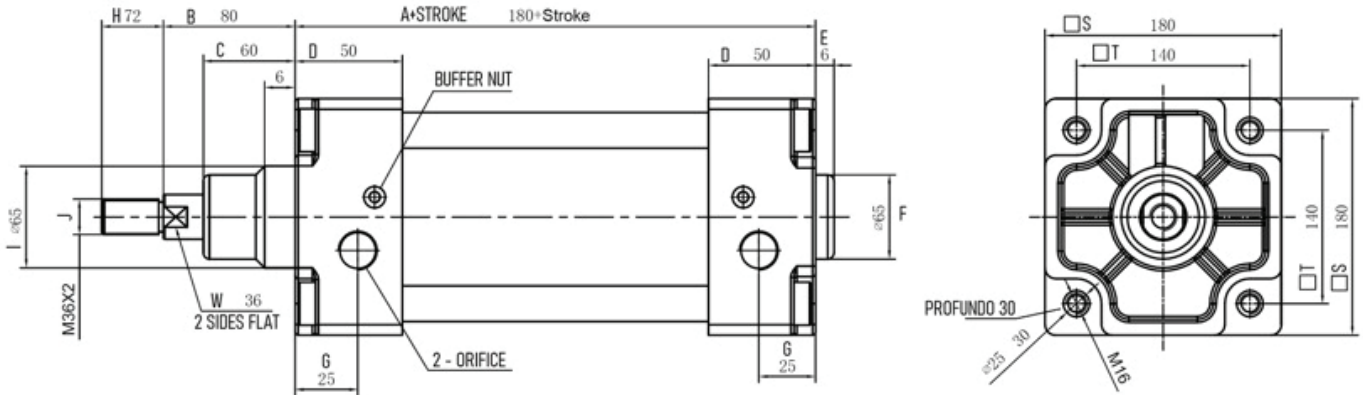


# Profile Type, Explode View



Profile Type, Parts List		
Item	Description	Material
1	Nut	Carbon Steel
2	Profile Bolt	Carbon Steel
3	Front cover Seal	Polyurethane
4	Front Cover	Aluminum Alloy
5	O-Ring	NBR
6	Adjustable Screw	304 SST
7	Block Slip	304 SST
8	Self-Lubricating Bearing	PTFE + Brass
9	Cushion Seal	NBR (BUNA-N) / Viton
10	Cover O-Ring	NBR / Viton
11	Barrel	Hard Anodized Aluminum
12	Piston Rod	AISI 1045, Hard Chrome Carbon Steel
13	Rod O-Ring	BUNA-N / Viton
14	Piston Seal	BUNA-N / Viton
15	Magnet (Optional)	RbFeb
16	Piston	Aluminum Alloy
17	Wear Ring	Polyamide 66
18	Hex Socket Screw	Carbon Steel
19	Back Cover	Aluminum Alloy



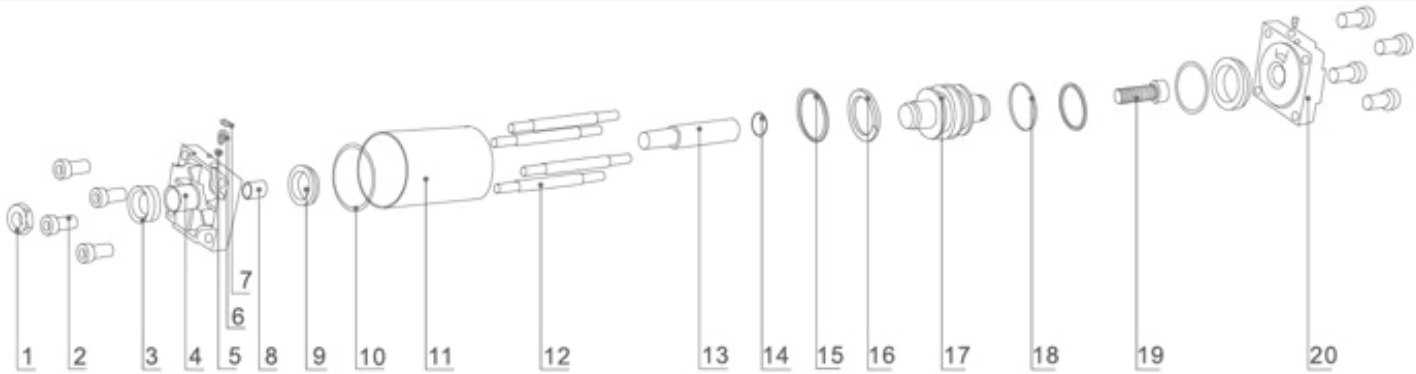


## Tie Rods Type, Dimensions

Profile Type, Dimensions																	
Bore	A	B	C	D	E	F	G	H	I	J	K	L	M	S	T	O	
160	180	80	60	50	6	Ø65	25	72	Ø65	40	M36x2	M16	Ø25dp30	180	140	G3/4"	
200	180	95	70	50	6	Ø75	25	72	Ø75	40	M36x2	M16	Ø25dp30	220	175	G3/4"	
250	200	105	67	52	10	Ø90	31	84	Ø90	50	M42x2	M20	Ø30	270	220	G1"	
320	218	120	82	52	10	Ø110	31	96	Ø110	63	M48x2	M24	Ø34	340	270	G1"	

## Tie Rods Type, Explode View





Item	Tie Rods Type, Parts List Description	Material
1	Nut	Carbon Steel
2	Profile Bolt	Carbon Steel
3	Front Cover Seal	Polyurethane
4	Front Cover	Aluminum Alloy
5	O-Ring	Buna-N / Viton
6	Adjustable Screw	304SST
7	Block Sleep	304SST
8	Self-Lubricating Bearing	PTFE + Brass
9	Cushion Seal	NBR (BUNA-N) / Viton
10	Cover O-Ring	Buna-N / Viton
11	Barrel	Hard Anodized Aluminum
12	Tie Rods	AISI 1045, Hard Chrome Carbon Steel
13	Piston Rod	Carbon Steel.
14	Rod O-Ring	Buna-N / Viton
15	Piston Seal	Buna-N / Viton
16	Magnet (Optional)	RbFeb
17	Piston	Aluminum Alloy
18	Wear Ring	Polyamide 66
19	Hex Socket Screw	Carbon Steel
20	Back Cover	Aluminum Alloy





*A Tradition of Quality*

*Our passion is to develop solutions for difficult situations in Industrial Applications, no matter how large or small the project.*

*"Serving the world, one project at a time"*



**MORRIS VALVES**  
BEHIND THE WORLD, ONE PROJECT AT A TIME

